

Hanomag

TR45

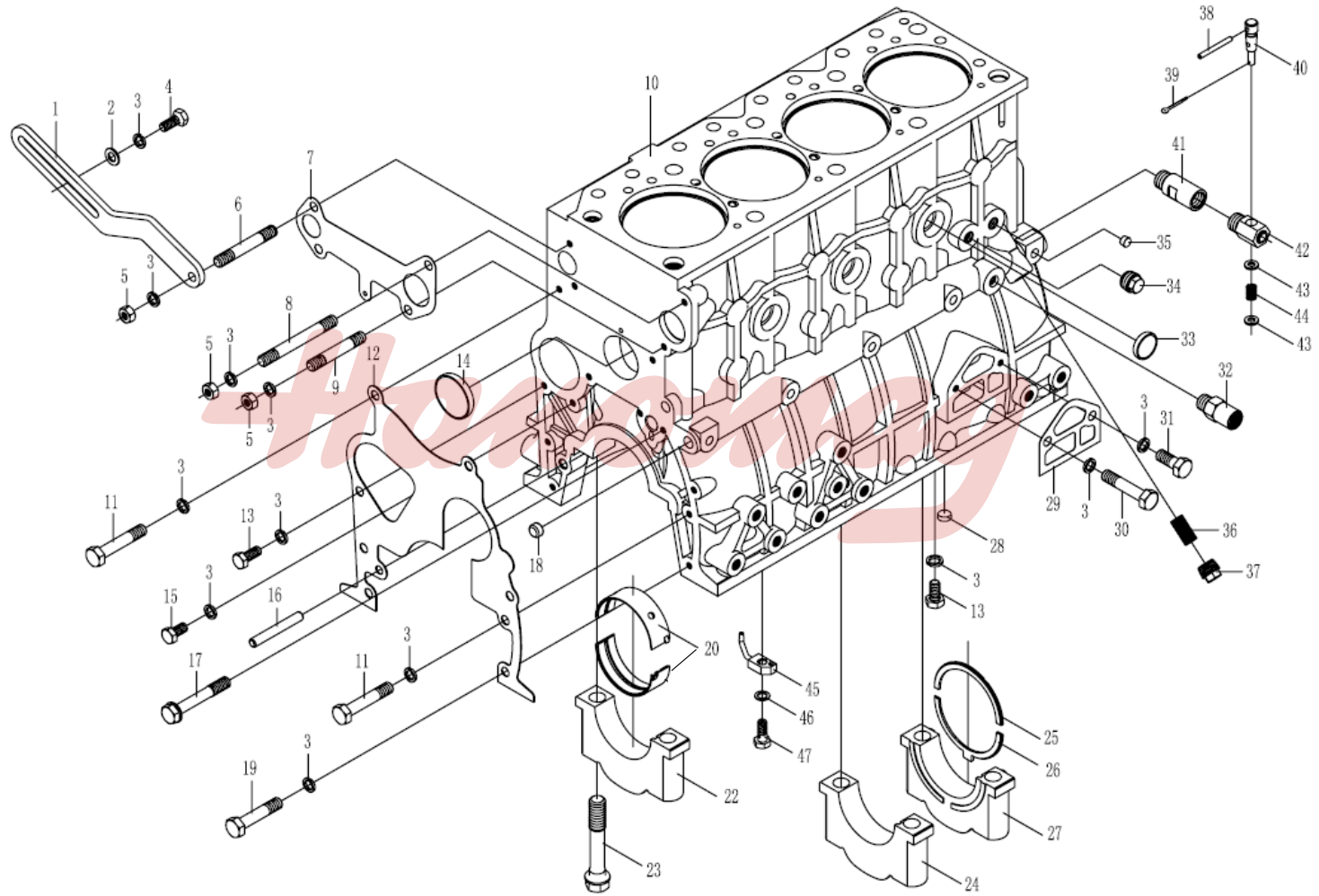
**C A T A L O G O
DE MOTOR**



 **INDUSTRIA
ARGENTINA**

4L23BT-01000

Cylinder Block Assy(One)



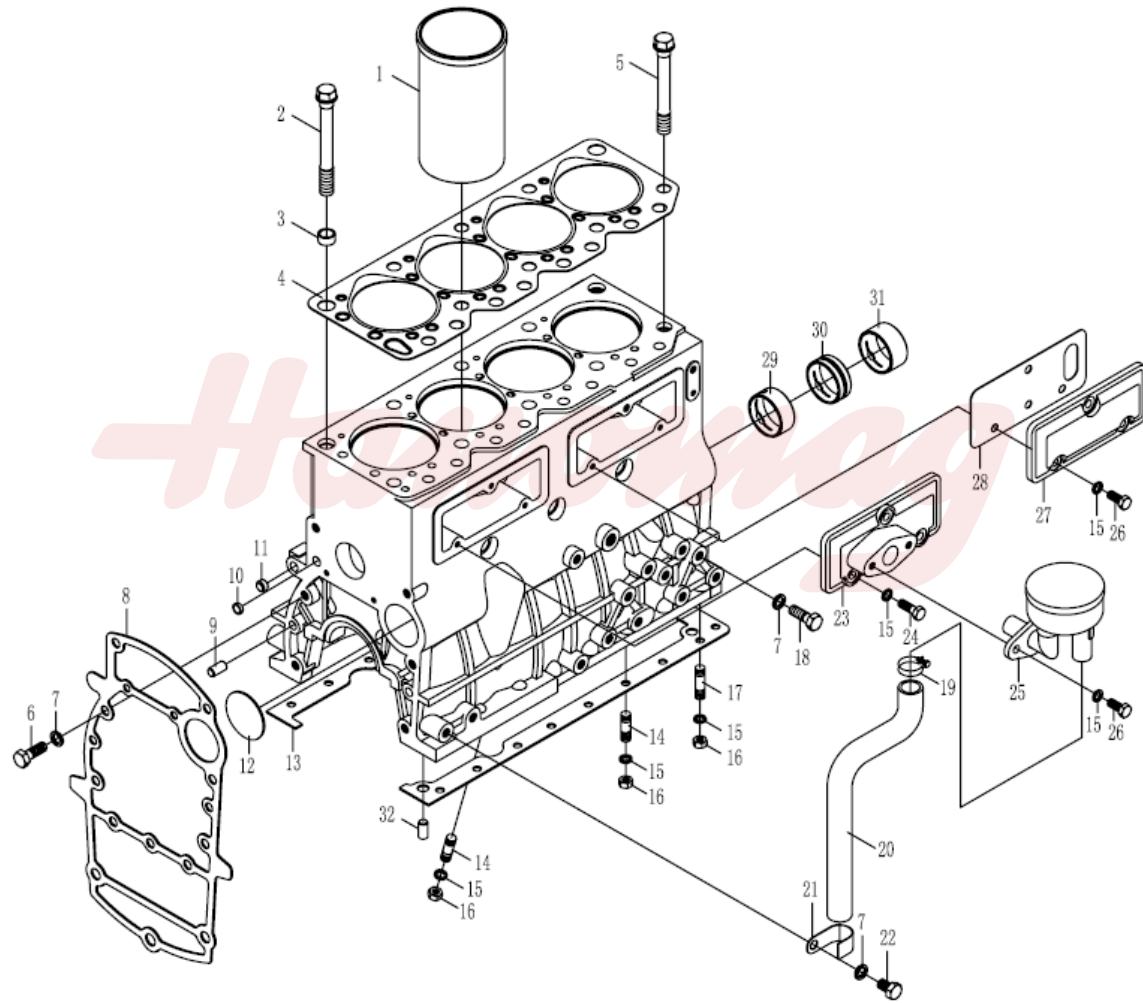
Cylinder Block Assy(One)

Ser No	Parts No	Name of Parts	Qty	Remarks
1	4L22BT-01029	Alternator adjustable support	1	
2	GB97.1-85	Washer 8	1	
3	GB93-87	Washer 8	35	
4	GB5783-86	Bolt M8×35	1	
5	GB6170-86	Nut M8	4	
6	GB898-88	Bolt M8×65	1	
7	4L22-01006	Water rear cover gasket	1	
8	GB898-88	Bolt M8×90	1	
9	GB898-88	Bolt M8×60	2	
10	4L23BT-01111	Cylinder block	1	
11	GB5782-86	Bolt M8×55	5	
12	L375-01007	Gear case cover gasket	1	
13	GB5783-86	Bolt M8×20	2	
14	D495QB-03105	Blind plug φ42	2	
15	GB5783-86	Bolt M8×16	2	
16	GB119-86	Pin B8×60	1	
17	GB5782-86	Bolt M8×45	2	
18	L375-01104	Main bearing stopper	1/2	
19	GB5782-86	Bolt M8×55	2	
20	4L22-01015	Main bearing(upper shell)	5	
22	4L22-01112	Main bearing cap	3	
23	4L22-01114	Main bearing cap bolt	10	
24	4L22-01112-1	No.4 main bearing cap	1	

Ser No	Parts No	Name of Parts	Qty	Remarks
25	4L22-01015	Upper thrust piece of crankshaft	2	
26	4L22-01016	Lower thrust piece of crankshaft	2	
27	4L22-01113	Rear main bearing cover	1	
28	D495QB-03109	Blind plug ϕ 12	1	
29	L375-01027	Oil filter gasket	1	
30	GB5782-86	Bolt M8 \times 50	1	
31	GB5783-86	Bolt M8 \times 50	1	
32	L375-01035	Oil pressure indicator joint	1	
33	D495QB-01024	Blind plug ϕ 32	3	
34	D495QB-06111-1	Screw plug	1	
35	L375-01105-1	Taper plug	5	
36	4L22-01800	Oil pressure adjusting valve	1	
37	4L22-01026	Screw plug	1	
38	195N-15204	Water gate handle	1	
39	GB91-86	Pin 2 \times 12	1	
40	195N-15202	Water gate core	1	
41	L375-01033-1	Water drain cock joint	1	
42	195N-15201	Water gate body	1	
43	GB97.1-85	Washer 6-140HV	2	
44	195N-15203	Spring	1	
45	4L22-01700	Nozzle	4	
46	4L22-01024	Washer	4	
47	4L22-01025	Bolt for nozzle	4	

4L23BT-01000

Cylinder Block Assy(Two)



Cylinder Block Assy(Two)

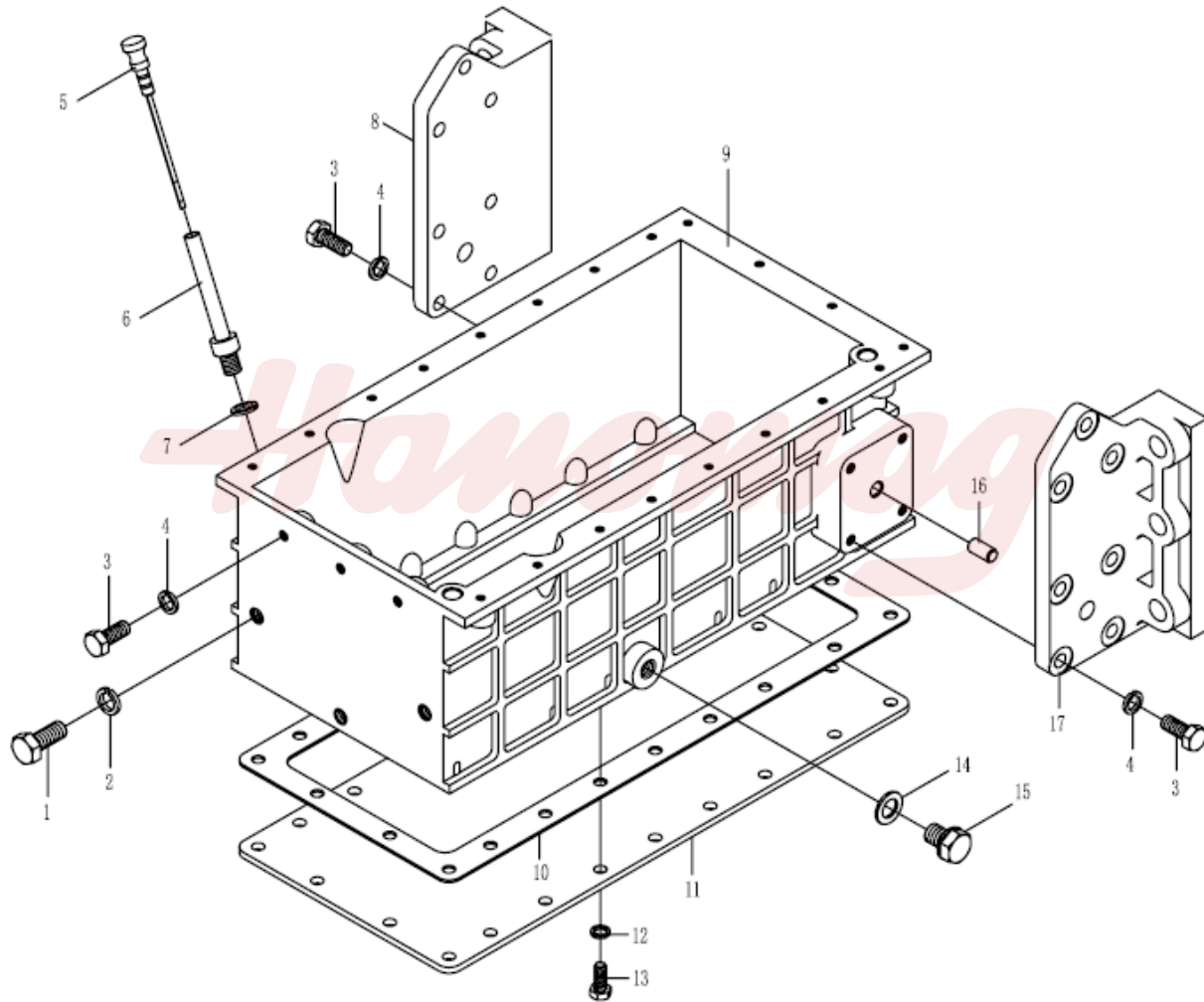
Ser No	Parts No	Name of Parts	Qty	Remarks
1	4L23-01003	Cylinder liner	4	
2	4L22-01005	Cylinder head stud	8	
3	L375-01103	Locating sleeve	2	
4	4L23BT-01002	Cylinder head gasket	1	
5	KM485QB-01005	Cylinder head stud	2	
6	GB5783-86	Bolt M10×30	11	
7	GB93-87	Washer 10	18	
8	4L22BT-01018	Flywheel housing gasket	1	
9	B119-86	Pin B10×20	2	
10	L375-01115	Blind plug φ10	2	
11	L375-01104	Main oil chanel plug	1/2	
12	L375-01102	Plug φ55	1	
13	4L22BT-01017	Oil sump gasket	1	
14	GB898-88	Bolt M8×22	20	
15	GB93-87	Washer8	30	
16	GB6170-86	Nut M8	22	
17	GB898-88	Stud M8×25	2	
18	GB5783-86	Bolt M10×25	6	
19	ZBT32005.1-88	Circle clamp	1	
20	4L22BT-01205	Breather pipe	1	
21	4L22BT-01206	Fixing clamp	1	
22	GB5783-86	Bolt M10×25	1	
23	4L22-01013	Side cover(II)	1	
24	GB5783-86	Bolt M8×20	3	
25	4L22B-01200	Breather housing	1	

Ser No	Parts No	Name of Parts	Qty	Remarks
26	GB5783-86	Bolt M8×15	3	
27	LL480-01012	Side cover(I)	1	
28	LL480-01014	Side cover spacer	2	
29	4L22-01117	Front bush of camshaft	1	
30	4L22-01116	Middle bush of camshaft	1	
31	4L22-01115	Rear bush or camshaft	1	
32	GB119-86	Pin C12×16	2	

Hanomag

4L23BT-01000

Cylinder Block Assy(Three)

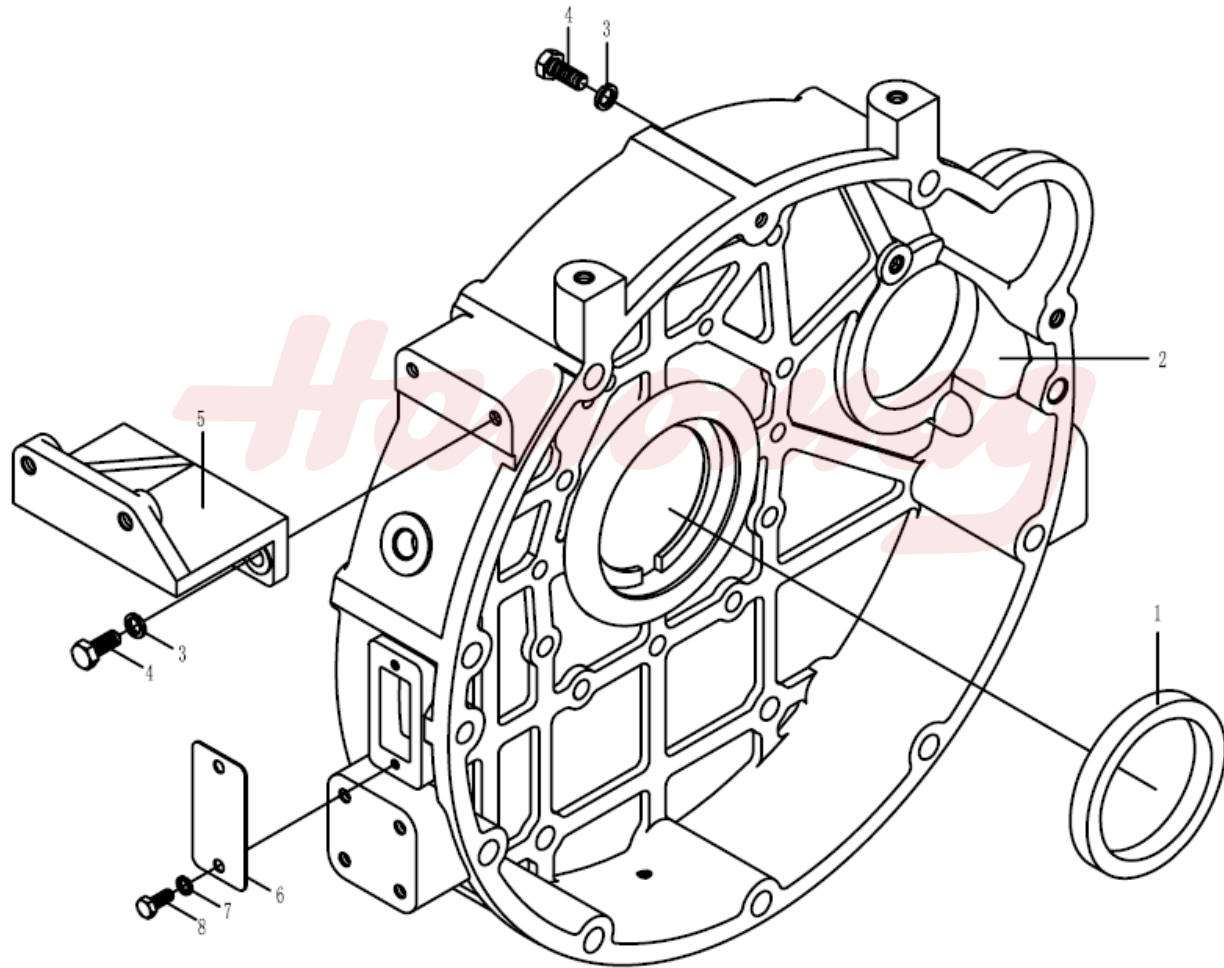


Cylinder Block Assy(Three)

Ser No	Parts No	Name of Parts	Qty	Remarks
1	GB5783-86	Bolt M12×25	3	
2	GB93-87	Washer12	3	
3	GB5783-86	Bolt M10×25	17	
4	GB93-87	Washer10	17	
5	4L22BT-01301	Oil dipstick part	1	
6	L375-01320-1	Dipstick sleeve wildment	1	
7	195-13007	Gasket	1	
8	4L22BT-01016	Left bracket	1	
9	4L22BT-15101	Oil sump	1	
10	4L22BT-15111	Oil sump cover gasket	1	
11	4L22BT-15104	Oil sump cover	1	
12	GB93-87	Washer 8	22	
13	GB5783-86	Bolt M8×18	22	
14	LL380-01503	A type washer	1	
15	LL380-01501	Oil drain plug	1	
16	GB119-86	Pin B10×20	2	
17	4L22BT-01019	Right bracket	1	

4L23BT-01000

Cylinder Block Assy(Four)



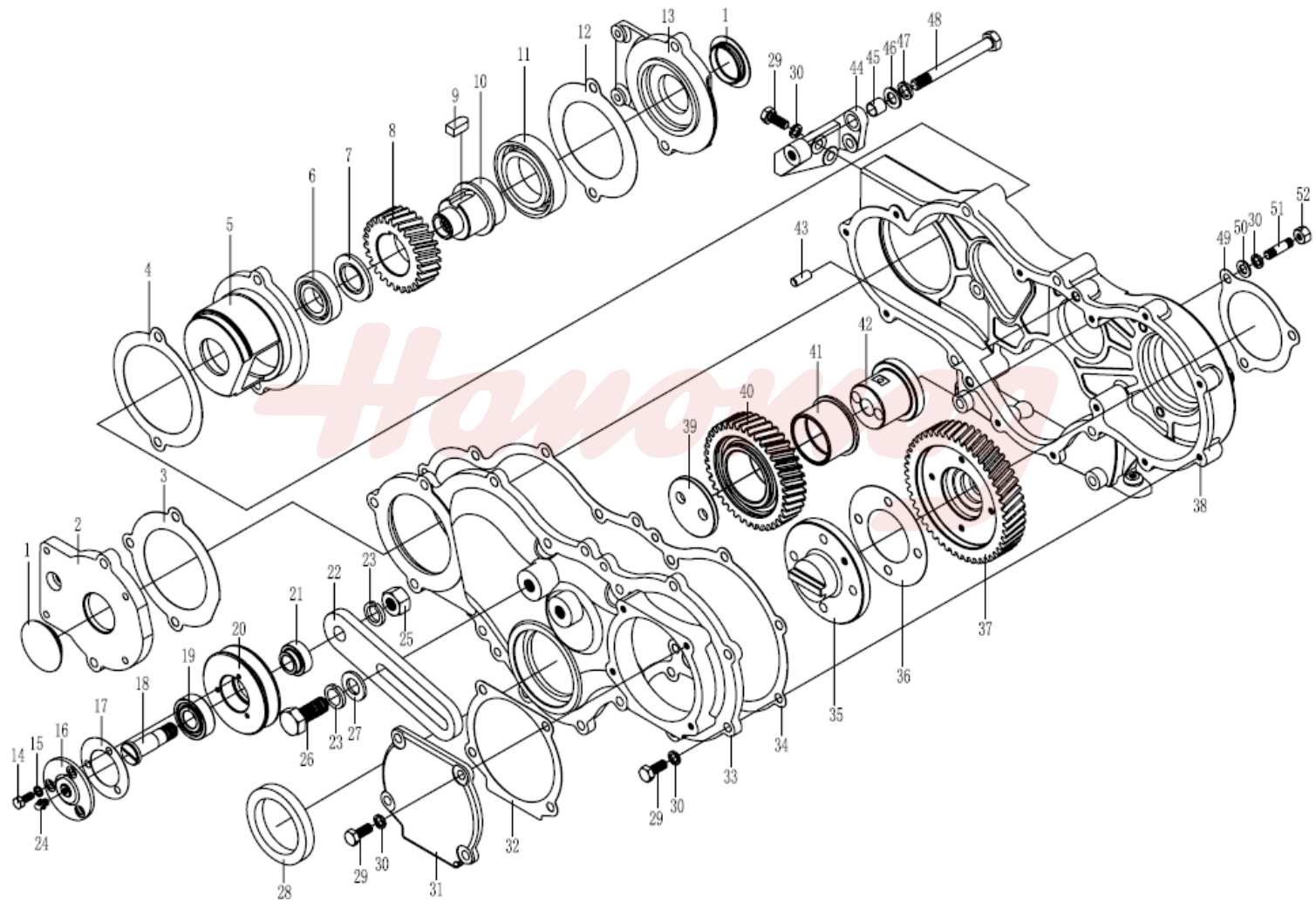
Cylinder Block Assy(Four)

Ser No	Parts No	Name of Parts	Qty	Remarks
1	JB2600-80	Oil seal DL80×100×12	1	
2	4L22BT-01010	Flywheel housing	1	
3	GB93-87	Washer 10	2	
4	GB5783-86	Bolt M10×30	2	
5	4L22BT-01014	Oil filter bracket	1	
6	LL480-01025	Cover board	1	
7	GB93-87	Washer 8	2	
8	GB5783-86	Bolt M8×18	2	



4L23BT-01000

Cylinder Block Assy(Five)



Cylinder Block Assy(Five)

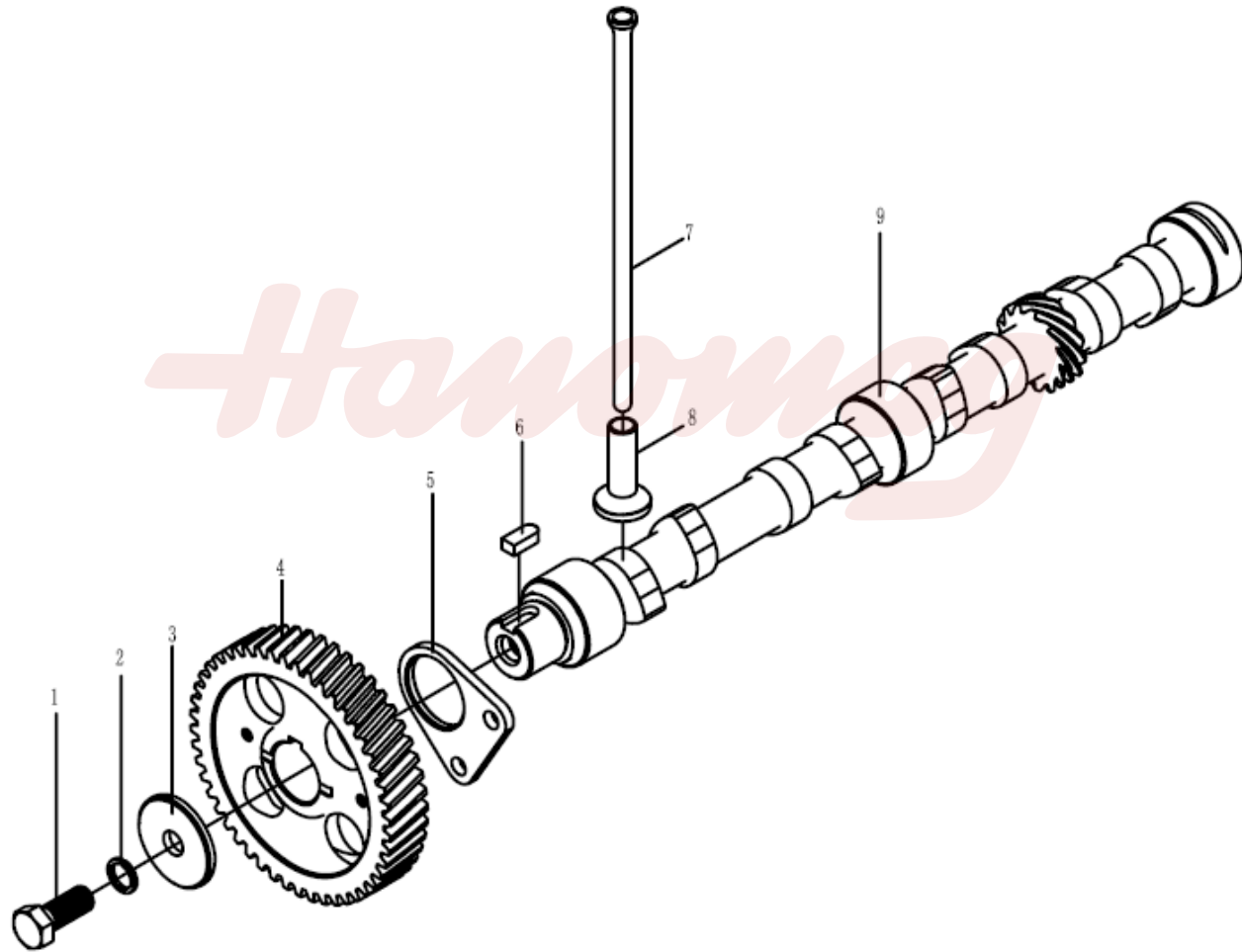
Ser No	Parts No	Name of Parts	Qty	Remarks
1	4L22BT-01710	Plug for hydraulic pressure pump	2	
2	4L22BT-01706	Transmission port	1	
3	4L22BT-01707	Connection plate for front pump	1	
4	4L22BT-01708	Connection plate gasket for front pump	1	
5	4L22BT-01703	Pump transmission bearing seat gasket	1	
6	GB/T276-94	Transmission bearing seat	1	
7	4L22BT-01705	Bearing6005	1	
8	4L22BT-01704	Bearing gasket ring	1	
9	4L22BT-01709	Hydraulic pressure pump transmission gear	1	
10	4L22BT-01702	Pin C10×21.5	1	
11	GB/T292-94	Hydraulic pressure pump transmission shaft	1	
12	4L22BT-01711	Bearing 7009C	1	
13	4L22BT-01701	Connection plate gasket for rear pump	1	
14	GB/T5783-2000	Connection plate for rear pump	3	
15	GB971-85	Bolt M6×12	3	
16	4L22BT-01805	Washer 6	1	
17	4L22BT-01806	Tensioner cover	1	
18	4L22BT-01803	Tensioner cover gasket	1	
19	GB/T276-94	Tensioner shaft	1	
20	4L22BT-01804	Bearing 6202-LS	1	
21	4L22BT-01802	Tensioner	1	
22	4L22BT-01801	Tensioner bush	1	
23	GB93-87	Tensioner bracket	1	
24	GB1153-89	Washer 14	1	
25	GB6172-86	Grease cup	2	
26	GB5783-86	Bolt M14	1	

Cylinder Block Assy(Five)

Ser No	Parts No	Name of Parts	Qty	Remarks
27	GB97.1-85	Washer 12	1	
28	JB2600-80	Oil seal DR55×75×12	1	
29	GB5783-86	Bolt M8×18	4	
30	GB93-87	Washer 8	23	
31	4L22BT-01025	Gear case front cover	1	
32	4L22BT-01030	Gear case front cover gasket	1	
33	4L22BT-01008	Timing gear case cover	1	
34	4L22BT-01009	Timing gear case cover gasket	1	
35	4L22BT-01012	Connecting plate for compresioner	1	
36	4L22BT-01013	Adjusting gasket for connecting plate	n	
37	4L22BT-01011	Fuel injection pump timing gear	1	
38	4L22BT-01007	Timing gear cases	1	
39	4L22BT-01020	Idle gear holddown	1	
40	4L22BT-01201	Idle gear	1	
41	4L22BT-01202	Idle gear bush	1	
42	4L22BT-01015	Idle gear shaft	1	
43	GB119-86	Pin B8×18	1	
44	4L22BT-01028	Generator bracket shalf	1	
45	L375-01031	Generator fixing bolt bushing	1	
46	GB97.1-85	Washer 10	1	
47	GB93-87	Washer 10	1	
48	GGB5782-86	Bolt M10×90	1	
49	L375-01010	Fuel injection pump gasket	1	
50	GB97.1-85	Washer 8	3	
51	GB898-88	Bolt M8×20	3	
52	GB6170-86	Bolt M8	3	

4L23BT-02000

Timing Gear and Camshaft Assy

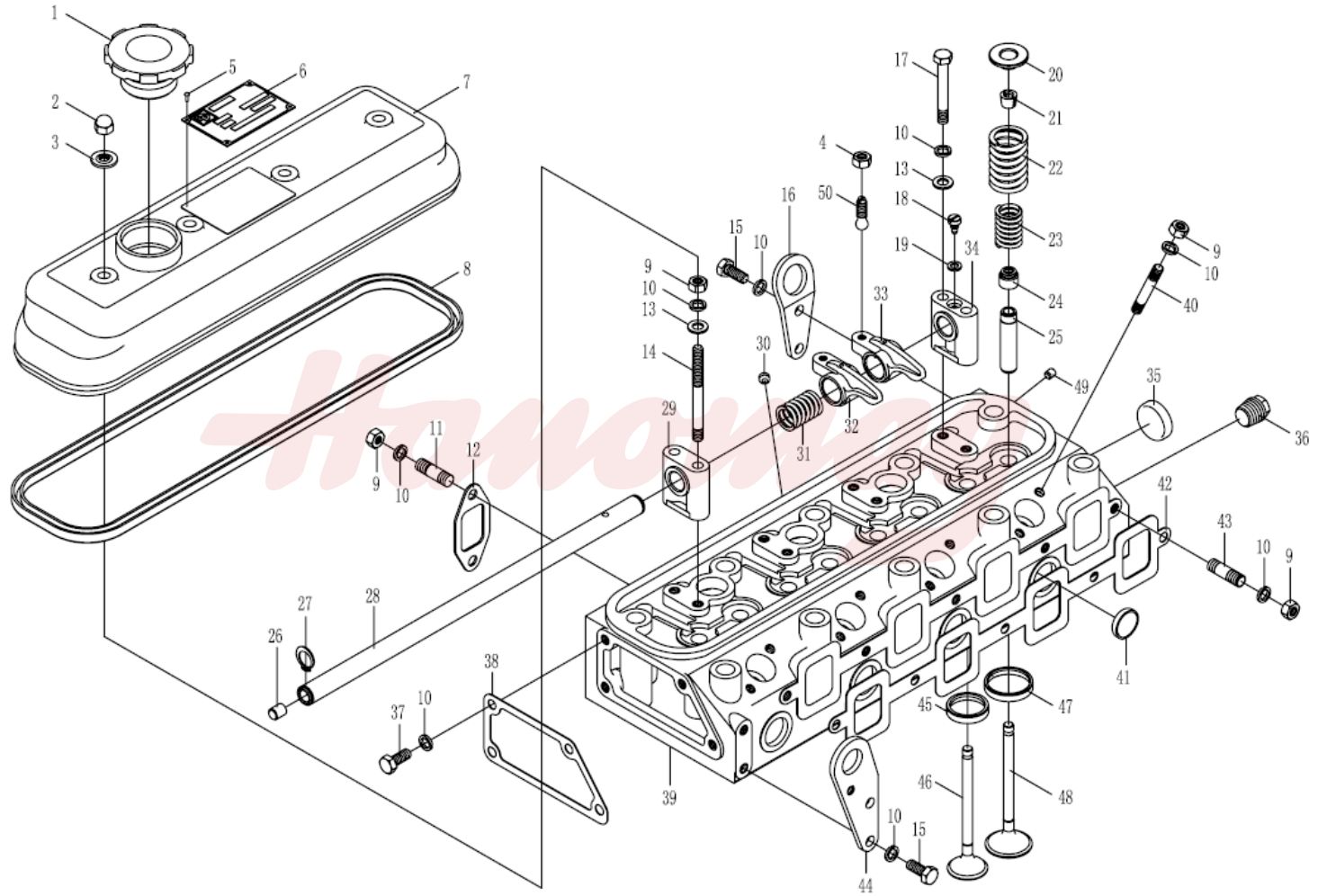


Timing Gear and Camshaft Assy

Ser No	Parts No	Name of Parts	Qty	Remarks
1	GB5783-86	Bolt M12×35	1	
2	GB93-87	Washer 12	1	
3	L375-02004	Camshaft gear circlip	1	
4	4L22BT-02011	Camshaft gear	1	
5	L375-02002	Camshaft thrust gasket	1	
6	GB1096-79	Key C8×18	1	
7	4L22-02003	Valve push rod	8	
8	L375-02005	Valve tappet	8	
9	4L22BT-02001	Camshaft	1	

4L23BT-03000

Cylinder Head Assy



Cylinder Head Assy

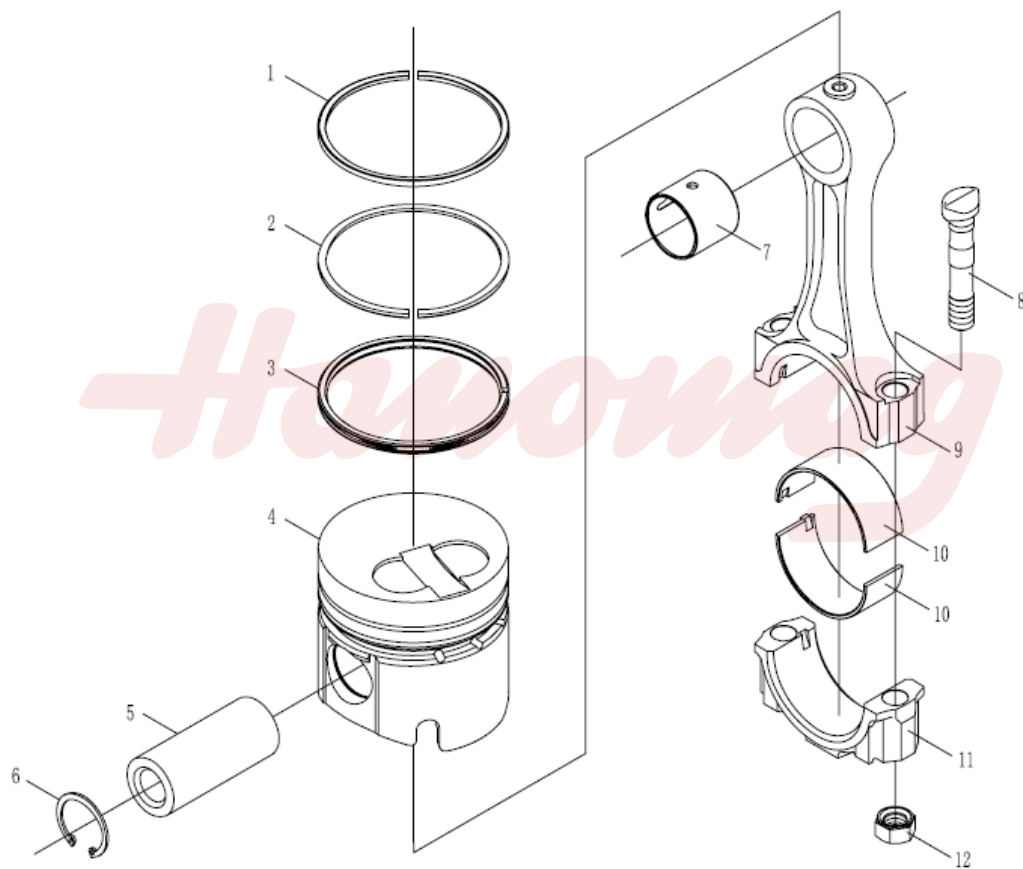
Ser No	Parts No	Name of Parts	Qty	Remarks
1	L375-03005	Filler cap	1	
2	GB923-88	Nut M8	4	
3	L375-03017	Antileak washer	4	
4	GB6171-86	Nut M8×1	8	
5	GB827-86	Rivet2×6	4	
6	L375-03302-4	Brand mark plate	1	
7	LL480B-03301	Cylinder head cover	1	
8	LL480B-03002	Cylinder head cover gasket	1	
9	GB6170-86	Bolt M8	28	
10	GB93-87	Washer 8	44	
11	GB898-88	Bolt M8×30	8	
12	4L22-03006	Exhaust pipe gasket	4	
13	GB97.1-85	Washer 8	8	
14	L375-03001	Rocker arm seat fixed bolt	4	
15	GB5783-86	Bolt M8×20	4	
16	L375-03012	Rear slinger	1	
17	GB5782-86	Bolt M8×60	4	
18	L375-03206	Rockershaft locating screw	1	
19	GB848-85	Washer 6	1	
20	4L22BT-03009	Valve spring seat (upper)	8	
21	LL480B-03008	Valve collet	16	
22	4L22-03015	Valve outer spring	8	
23	4L22-03007	Valve inner spring	8	
24	LL480B-03019	Valve oil seal	8	
25	KM485QB-03102	Valve guide	8	
26	L375-01115	Blind plug φ10	2	
27	GB894.1-86	Circlip 16	2	

Cylinder Head Assy

Ser No	Parts No	Name of Parts	Qty	Remarks
28	4L22-03205	Rockshaft	1	
29	L375-03202	Rockshaft bracket	3	
30	L375-03107	Blind plug $\phi 8.3$	4	
31	L375-03204	Valve roker shaft spring	3	
32	4L22B-03210	Intake Valve rocker arm	4	
33	4L22B-03220	Exhaust Valve rocker arm	4	
34	L375-03207	Rockshaft rear bracket	1	
35	D495QB-01024	Blind plug $\phi 32$	1	
36	D495QB-06111-1	Stopper	1	
37	GB5783-86	Bolt M8 \times 25	4	
38	L375-03010	Thermostat housing gasket	1	
39	4L22B-03101	Cylinder head	1	
40	GB898-88	Bolt M8 \times 60	8	
41	GB898-88	Blind plug $\phi 25$	4	
42	4L22B-03013	Intake pipe gasket	4	
43	4L22-03104	Bolt M8 \times 25	8	
44	4L22-03004	Front stationary rings	1	
45	4L22-03103	Exhaust valve seat	4	
46	4L22B-03005	Exhaust valve	4	
47	L375-03106	Intake valve seat	4	
48	4L22-03013	Intake valve	4	
49	D495QB-03110	Stopper $\phi 6$	1	
50	L375-03201	Valve clearance adjusting screw	8	

4L23BT-04000

Piston-connecting Rod Assy

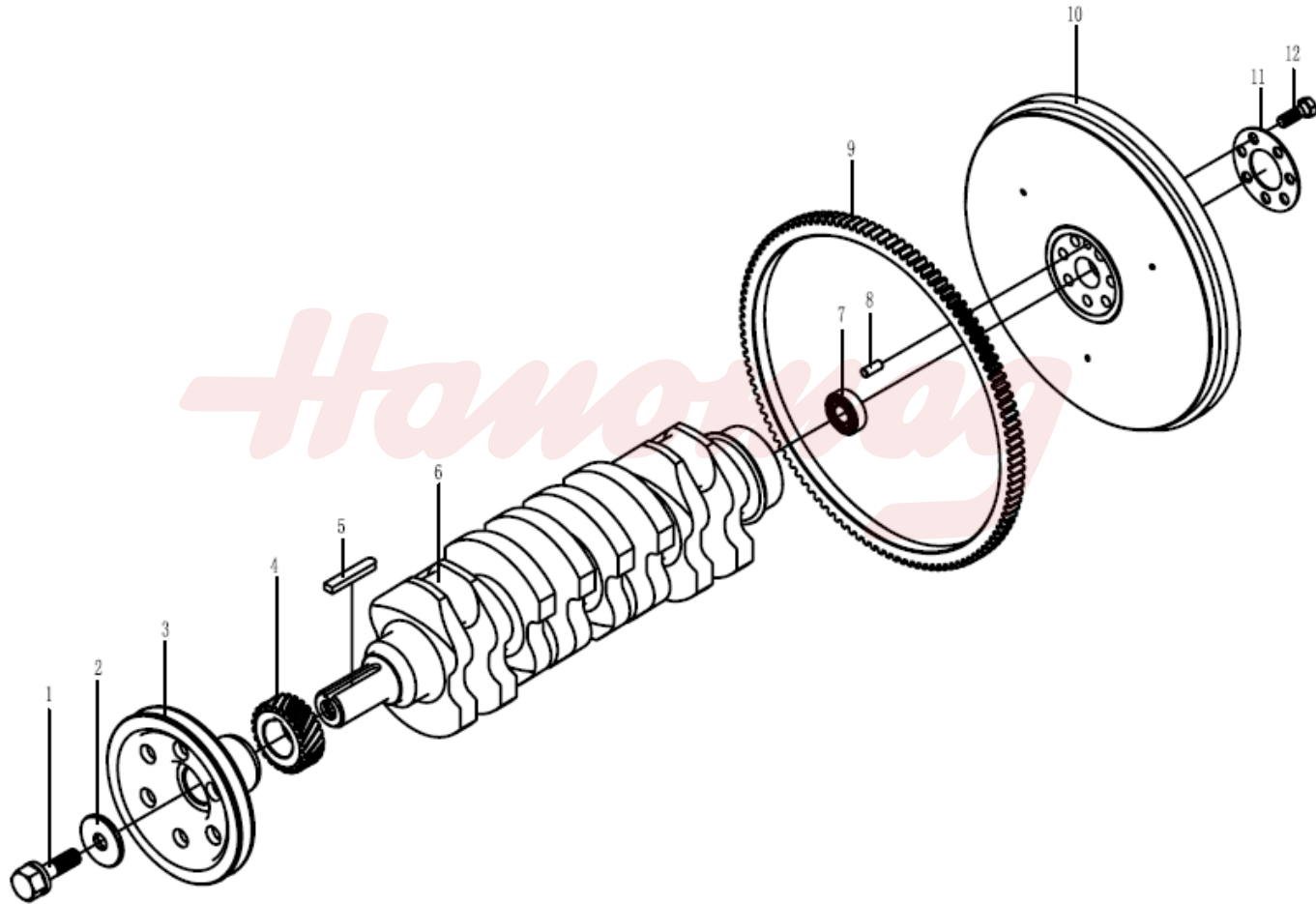


Piston-connecting Rod Assy

Ser No	Parts No	Name of Parts	Qty	Remarks
1	4L23-04001	1st compression ring	1	
2	LL388BT-04002	2nd compression ring	1	
3	4L23-04100	Oil scraper ring	1	
4	LL388BT-04005	Piston	1	
5	4L22BZ-04004	Piston pin	1	
6	GB/T893.1-1986 31	Circlip	2	
7	4L22BZ-04201	Connecting rod bushing	1	
8	4L22BZ-04204	Connecting rod bolt	2	
9	4L22BZ-04202	Connecting rod	1	
10	4L22-04003	Connecting rod cap	2	
11	4L22BZ-04203	Connecting rod cover	1	

4L23BT-05000

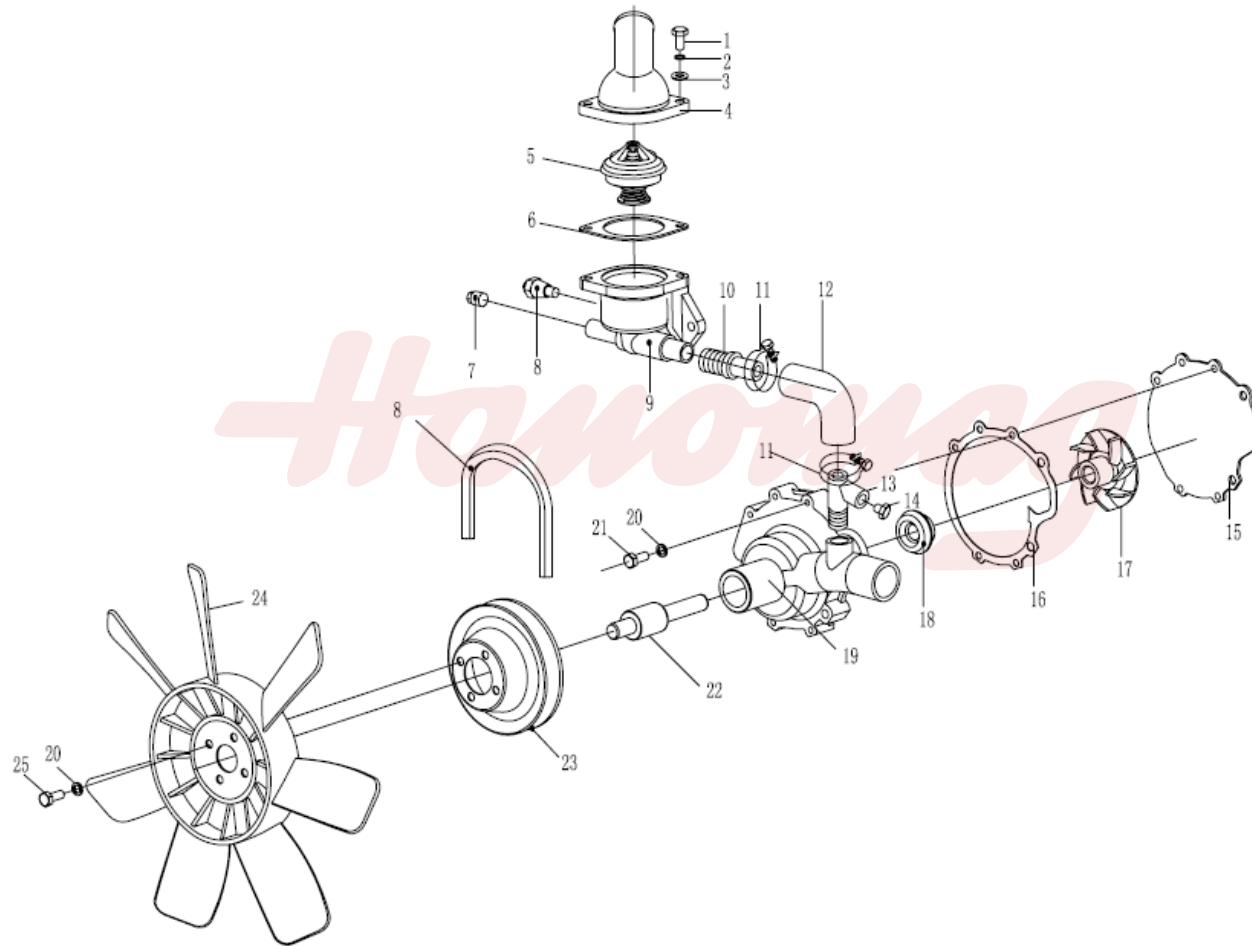
Crankshaft-fly wheel Assy



Crankshaft-fly wheel Assy

Ser No	Parts No	Name of Parts	Qty	Remarks
1	4L22BT-05006	Starting claw	1	
2	L375-05005	Starting claw washer	1	
3	4L22BT-05005	Crankshaft belt pulley	1	
4	L485BN-05007	Crankshaft timing gear	1	
5	GB1096-79	Key C10×63	1	
6	4L22-05003	Crankshaft	1	
7	GB278-89	Bearing B60203	1	
8	GB119-86	Pin B8×20	1	
9	LL480-05102	Fly wheel gear ring	1	
10	4L22BT-05101	Fly wheel	1	
11	4L22-05002	Fly wheel bolt backing plate	1	
12	4L22BT-05001	Fly wheel bolt	7	

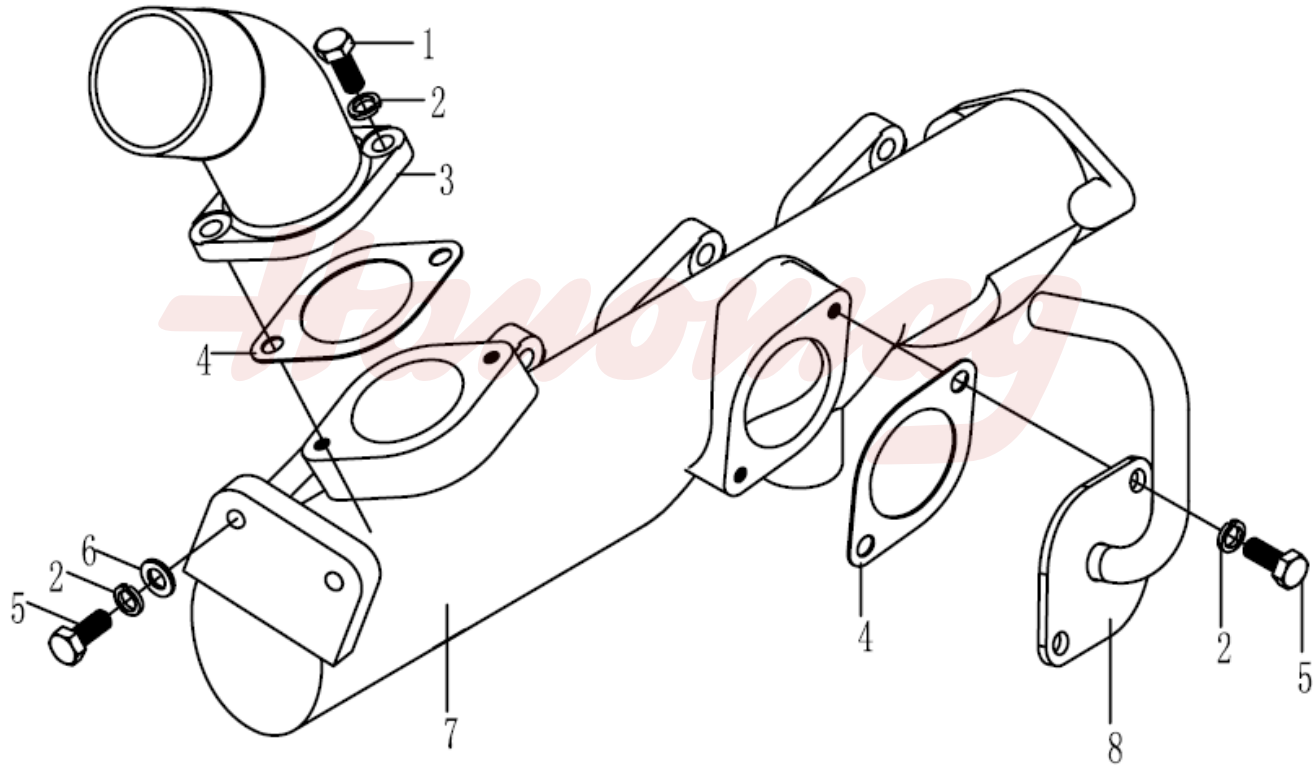
4L23BT-06000 Cooling System Assy



Cooling System Assy

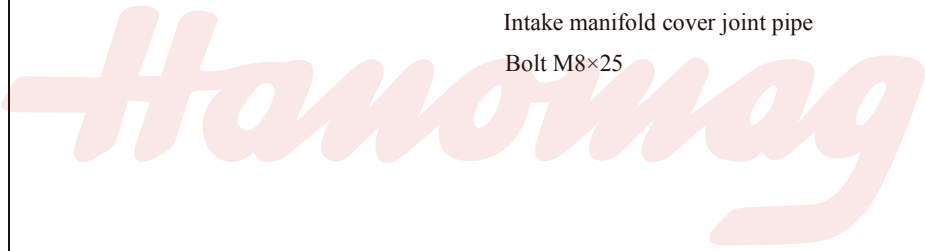
Ser No	Parts No	Name of Parts	Qty	Remarks
1	GB5783-86	Bolt M6×22	4	
2	GB93-87	Washer 6	4	
3	GB848-85	Washer 6	4	
4	L375-06201	Thermostat cover	1	
5	L375-06203	Thermostat	1	
6	L375-06202	Thermostat cover gasket	1	
7	D495QB-06111-1	Stopper	1	
8	L375-06206	Water temprature transmitter	1	
9	L375-06204	Thermostat housing	1	
10	LL480-06303	Small circulating water pipe	1	
11	ZBT32005.1-88	Clamp 26	2	
12	L375-06001	Hose	1	
13	4L22-06110	Water pipe	1	
14	L375Y3-14-06111	Stopper	1	
15	4L22-06108	Water pump rear cover	1	
16	4L22-06107	Water pump gasket	1	
17	4L22-06105	Water pump impeller	1	
18	4L22-06112	Water seal	1	
19	4L22BT-06103	Water pump housing	1	
20	GB93-87	Washer8	6	
21	GB5783-86	Bolt M8×30	2	
22	LL480-06106	Water pump bearing	1	
23	4L22BT-06102	Belt pulley	1	
24	4L22BT-06112	Fan padding block	1	
25	KM485QB-06300	Fan	1	
26	GB5780-86	Bolt M8×95	4	
27	GB/T1171-86	Belt A- 830	1	

4L23BT-07000 Intake Manifold Assy

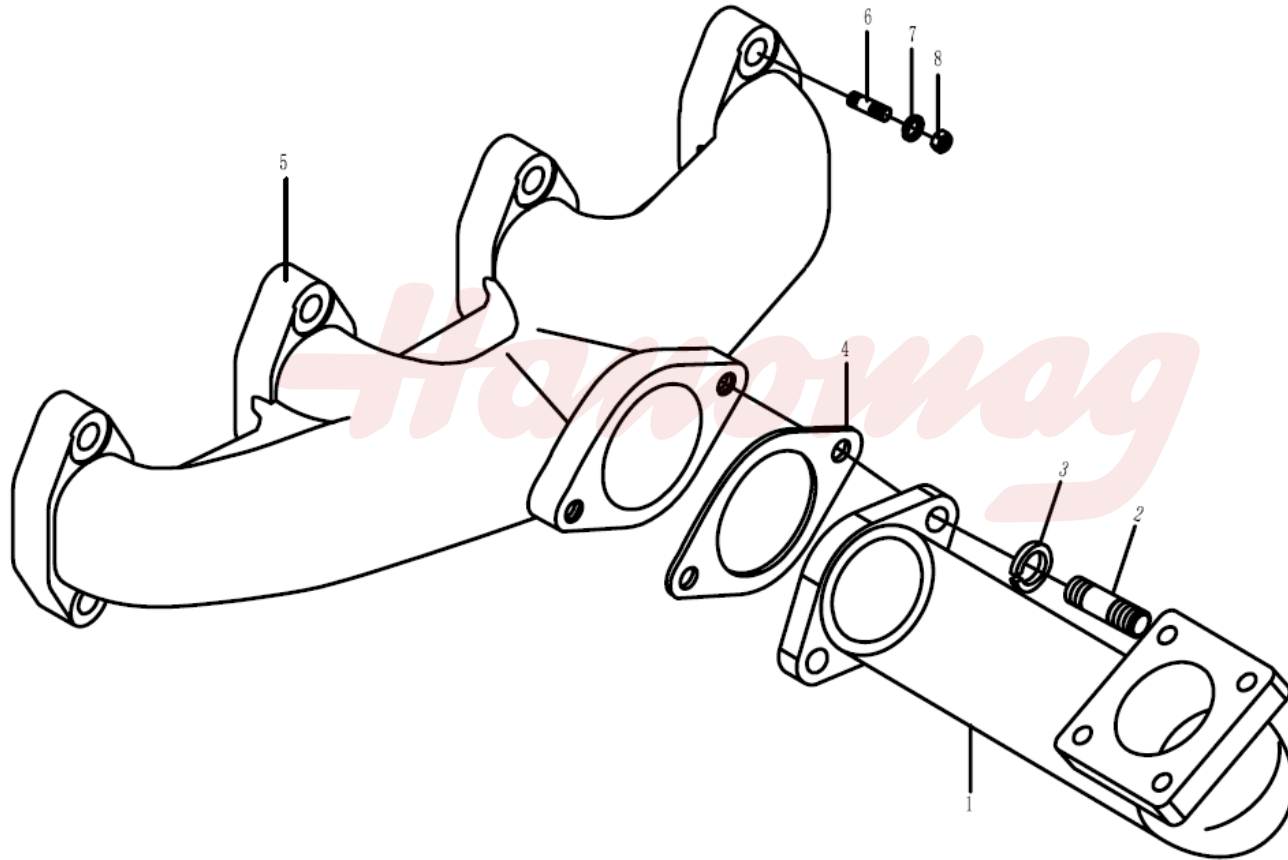


Intake Manifold Assy

Ser No	Parts No	Name of Parts	Qty	Remarks
1	GB5783-86	Bolt M8×16	4	
2	GB93-87	Washer 10	6	
3	GB97.1-85	Washer 10	4	
4	4L22BT-07002	Intake manifold cover	1	
5	4L22BT-07003	Intake manifold cover gasket	1	
6	4L22BT-07001	Intake manifold	1	
7	L375Y3-07003	Intake manifold cover gasket	1	
8	4L22BT-07004	Intake manifold cover joint pipe	1	
9	GB5783-86	Bolt M8×25	2	




4L23BT-08000 Exhaust Manifold Assy



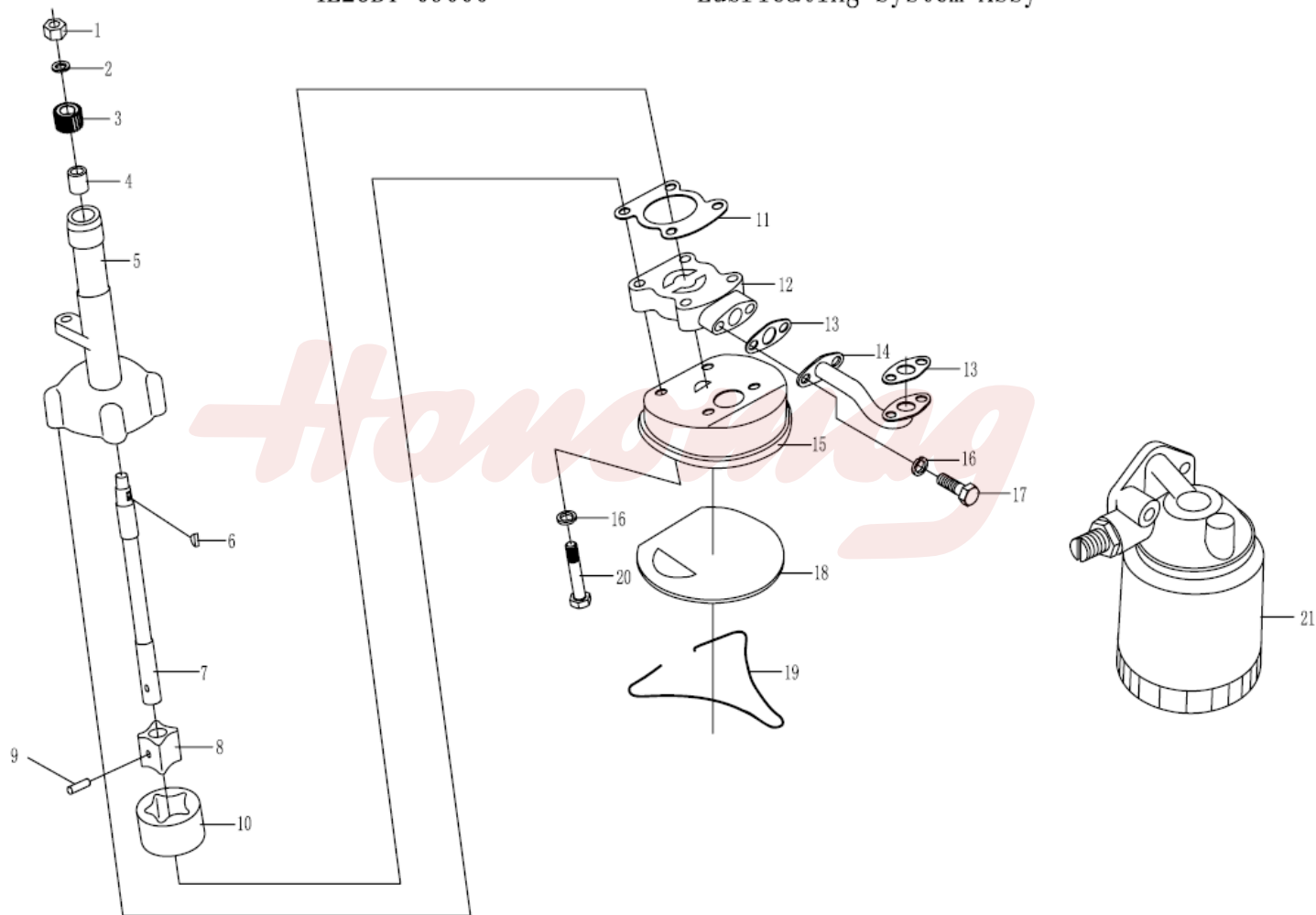
Exhaust Manifold Assy

Ser No	Parts No	Name of Parts	Qty	Remarks
1	GB5783-86	Bolt M10×25	4	
2	GB93-87	Washer 10	4	
3	4L22BT-08002	Exhaust manifold gasket	1	
4	4L22BT-08001	Exhaust manifold	1	



4L23BT-09000

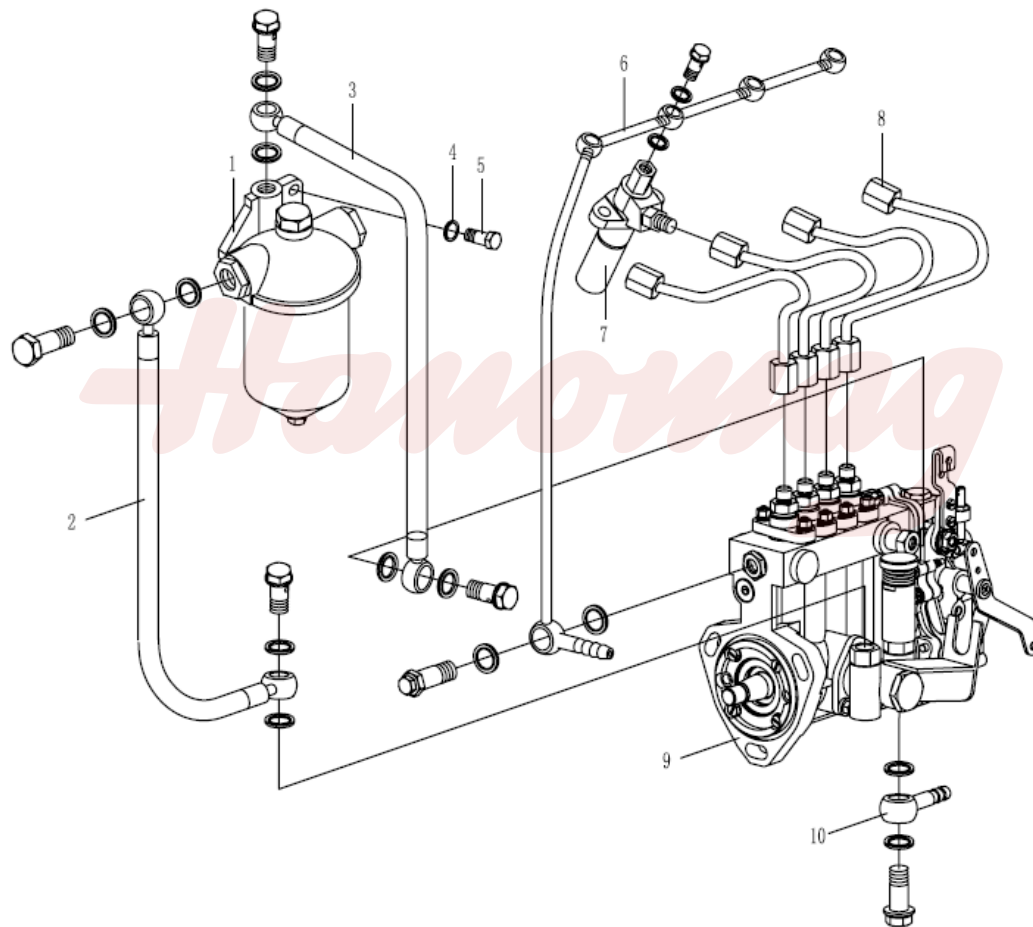
Lubricating System Assy



Lubricating System Assy

Ser No	Parts No	Name of Parts	Qty	Remarks
1	GB6170-86	Nut M 10	1	
2	GB893-87	Washer 10	1	
3	LL480-09107	Oil pump driven gear	1	
4	4L22-09121	Oil pump body bush	1	
5	4L22-09122	Oil pump body	1	
6	GB1099-79	Woodruff key 3×5×13	1	
7	4L22-09111	Oil pump shaft	1	
8	4L22-09112	Inner rotor	1	
9	GB119-86	Pin A5×18	1	
10	4L22-09101	Outer rotor	1	
11	4L22-09105	Oil pump gasket	1	
12	4L22-09104	Oil pump cover	1	
13	4L22-09001	Oil outlet pipe flange gasket	1	
14	4L22-09200	Oil outlet pipe unit	1	
15	4L22-09003	Gauze strainer	1	
16	GB93-87	Washer 8	6	
17	GB5783-86	Bolt M8×20	2	
18	4L22-09130	Weldment	1	
19	4L22-09108	Gauze support	1	
20	GB5782-86	Bolt M8×45	4	
21	4L22B-09300	Oil filter	1	

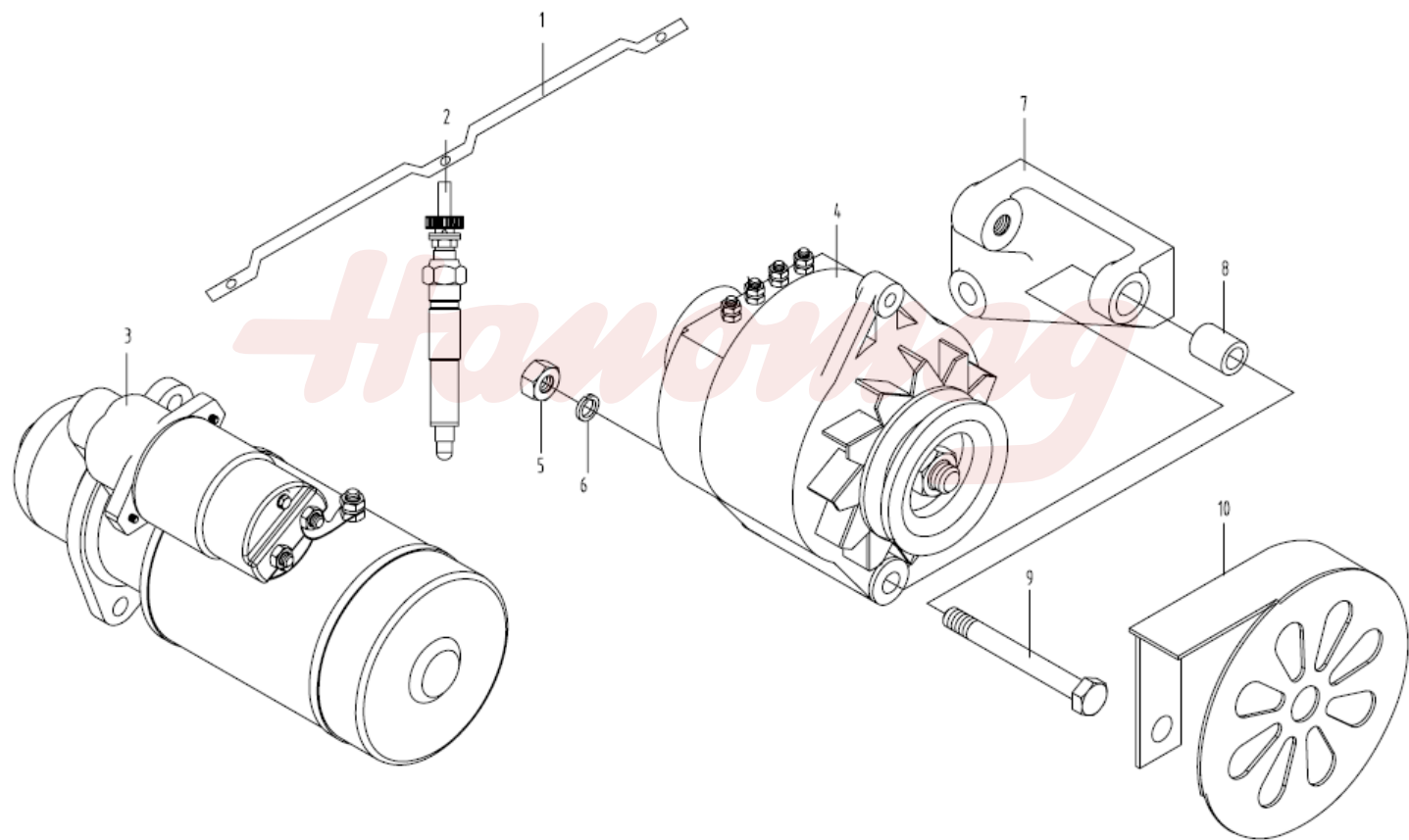
4L23BT-10000 Fuel System Assy



Fuel System Assy

Ser No	Parts No	Name of Parts	Qty	Remarks
1	4L22BT-10400	Fuel return pipe	1	
2	4L22B-10300	Fuel injector	4	
3	LL480B-10200	Fuel injection pipe	1	
4	GB6170-86	Nut M6	2	
5	D495QB-10600	Fuel injection pipe clamp	2	
6	GB93-87	Washer 6	2	
7	GB65-85	Screw M6×30	2	
8	4L22-10600	Pipe from filter to injection pump	1	
9	4L22-10500	Fuel filter	1	
10	4L22-10700	Fuel pipe from feed pump to filter	1	
11	4L22B-10100	Four cylinder BQ type injection pump assy	1	
12	L375-10801B	Pipe joint	1	

4L23BT-12000电泵系统总成 Electric System Assy



Electric System Assy

Ser No	Parts No	Name of Parts	Qty	Remarks
1	KM485QB-12603	Screw M8	1	
2	L375-03017	Antileak washer	2	
3	KM485QB-12602	Bolt M12	1	
4	KM485QB-12607	Washerφ12	1	
5	KM485QB-12604	Preheat plug oil pipe	1	
6	KM485QB-12601	Preheat plug	1	
7	LL480-12300	Starting motor unit	1	
8	L375-12100	Alternator	1	
9	GB/T1171-96	Belt A- 750	1	

Cylinder Block Assy (One)	1
Cylinder Block Assy (Two)	4
Cylinder Block Assy (Three)	7
Cylinder Block Assy (Four)	9
Cylinder Block Assy(Five)	11
Timing Gear and Camshaft Assy	14
Cylinder Head Assy	16
Piston-connecting Rod Assy	19
Crankshaft-fly wheel Assy	21
Cooling System Assy	23
Intake Manifold Assy	25
Exhaust Manifold Assy	27
Lubricating System Assy	29
Fuel System Assy	31
Electric System Assy	33