

Hanomag

H150

**DESPIECE
DE MOTOR**



 **INDUSTRIA
NACIONAL**

Special items

Item	Nombre de piezas	Códigos	Cant.	Observ.
1	Cylinder Head Machining parts	A4K41T-03100	1	
2	Injector Yoke	A4K41T-03016	4	
3	Injector binding bolt	A4K41T-03017	4	
4	Fuel return pipe part between injection pump and delivery pump	A4K41T-25400	1	
5	Piston	A4K39T-04001	4	
6	High pressure fuel pipe assembly	A4K41T-23000	1	
7	Injector assembly	A4K41T-22000	4	
8	Con-rod part	A4K41T-04200	4	
9	First ring	A4K39T-04002	4	
10	Second ring	A4K39T-04003	4	
11	Coil spring oil control ring	A4K39T-04100	4	
12	Piston pin	A4K39T-04004	4	
13	38 Circlip used for hole	GB/TB93.1-1986	8	
14	Nameplate	4K39T-11008-3	1	
15	Return pipe of injector	A4K41T-25002	3	
16	Rubber sleeve of injector	A4K41T-25004	1	

Special Items

Item	Nombre de piezas	Códigos	Cant.	Observ.
1	Cylinder Head Machining parts	A4K41T-03100	1	
2	Injector Yoke	A4K41T-03016	4	
3	Injector binding bolt	A4K41T-03017	4	
4	Fuel return pipe part between injection pump and delivery pump	A4K41T-25400	1	
5	Piston	A4K41T-04001	4	
6	High pressure fuel pipe assembly	A4K41T-23000	1	
7	Injector assembly	A4K41T-22000	4	
8	Con-rod part	A4K41T-04200	4	
9	First ring	A4K41T-04002	4	
10	Second ring	A4K41T-04003	4	
11	Coil spring oil control ring	A4K41T-04100	4	
12	Piston pin	A4K41T-04004	4	
13	Circlip used for hole	GB/TB93.1-1986	8	
14	Nameplate	4K39T-11008-3	1	
15	Return pipe of injector	A4K41T-25002	3	
16	Rubber sleeve of injector	A4K41T-25004	1	

Special Items

Item	Nombre de piezas	Códigos	Cant.	Observ.
1	Cylinder Head Machining parts	A4K41T-03100	1	
2	Injector Yoke	A4K41T-03016	4	
3	Injector binding bolt	A4K41T-03017	4	
4	Fuel return pipe part between injection pump and delivery pump	A4K41T-25400	1	
5	Piston	A4K43T-04001	4	
6	High pressure fuel pipe assembly	A4K41T-23000	1	
7	Injector assembly	A4K41T-22000	4	
8	Con-rod part	A4K41T-04200	4	
9	First ring	A4K43T-04002	4	
10	Second ring	A4K43T-04003	4	
11	Coil spring oil control ring	A4K43T-04100	4	
12	Piston pin	A4K43T-04004	4	
13	Circlip used for hole	GB/TB93.1-1986	8	
14	Nameplate	4K39T-11008-3	1	
15	Return pipe of injector	A4K41T-25002	3	
16	Rubber sleeve of injector	A4K41T-25004	1	
17	Intake valve	4K39T-03015	4	
18	Exhaust valve	4K39T-03014	4	

Special Items

Item	Nombre de piezas	Códigos	Cant.	Observ.
1	Main bearing (up)	4K48T-01033	5	
2	Main bearing (down)	4K48T-01034	5	
3	Thrust washer (up)	4K48T-01022	2	
4	Thrust washer (down)	4K48T-01026	2	
5	Crankshaft pulley	A4K41ZT -05001	1	
6	Flywheel ring gear	A4K41ZT -05100	1	
7	Oil dipstick tube welding part	A4K41ZT -07210	1	
8	Oil gauge part	A4K41ZT -07220	1	
9	Exhaust manifold	A4K41ZT -08002	1	
10	Exhaust pipe	A4K41ZT -08001	1	
11	Intake manifold	A4K41ZT -09003	1	
12	Fiber sandwich rubber hose	A4K41ZT -09005	1	
13	Fiber sandwich rubber hose	A4K41ZT -09007	1	
14	Intake pipe	A4K41ZT -09002	1	
15	Intake manifold	A4K41ZT -09006	1	
16	Intake manifold pad	A4K41ZT -09004	1	
17	Turbo	A4K41ZT-19001	1	
18	Oil pipe part of turbo	A4K41ZT -19300	1	
19	Return oil pipe connector	A4K41ZT -19004	1	
20	(一) Intake pipe support(一)	A4K41ZT -09008	1	
21	(二) Intake pipe support(二)	A4K41ZT -09009	1	
22	Crankshaft	A4K41ZT-05003	1	
23	Injector assembly	A4K41ZT-22000	4	
24	Injection pump assembly	A4K41ZT-21000	1	
25	Fuel return pipe part between injection pump and delivery pump	A4K41ZT -25300	1	
26	Return oil pipe part of injector	A4K41ZT-25100	1	
27	Piston injector part	A4K41ZT -01200	4	

Special Items

Item	Nombre de piezas	Códigos	Cant.	Observ.
28	Joint bolt assembly	A4K41ZT-01300	4	
29	Cu washer	4D35T-01090	4	
30	10.6X1.8 O sealing 10.6X1.8	GB/T3452.1-1992	4	
31	Sealing cap behind crankshaft	A4K41ZT-01071	1	
32	Injection pump flange	A4K41ZT-16005	1	
33	Packing chest	A4K41ZT-62001	1	
34	Oil pump&oil way assembly	A4K41ZT-31000	1	
35	Return oil hose of turbo	A4K41ZT-19006	1	
36	Machining block assembly	A4K41ZT-01100	1	
37	Oil return pipe connector	A4K41ZT-01060	1	
38	Cylinder liner	A4K41ZT-01005	4	
39	Breather wedding piece	4K39T-34100-3	1	
40	A Fuel pump support A	A4K41ZT-01076	1	
41	B Fuel pump support B	A4K41ZT-01077	1	
42	High pressure pipe assembly	A4K41T-23000-4	1	
43	Cylinder Head Machining parts	A4K41T-03100	1	
44	Injector Yoke	A4K41T-03016	4	
45	Injector binding bolt	A4K41T-03017	4	
46	Into fuel connector	490B-25401-4	1	
47	Piston	A4K41T-04001	4	
48	Con-rod part	A4K41T-04200	4	
49	First ring	A4K41T-04002	4	
50	Second ring	A4K41T-04003	4	
51	Coil spring oil control ring	A4K41T-04100	4	
52	Piston pin	A4K41T-04004	4	
53	38 Cirelip used for hole	GB/TB93.1-1986	8	
54	Return pipe of injector	A4K41T-25002	3	
55	Rubber sleeve of injector	A4K41T-25004	1	

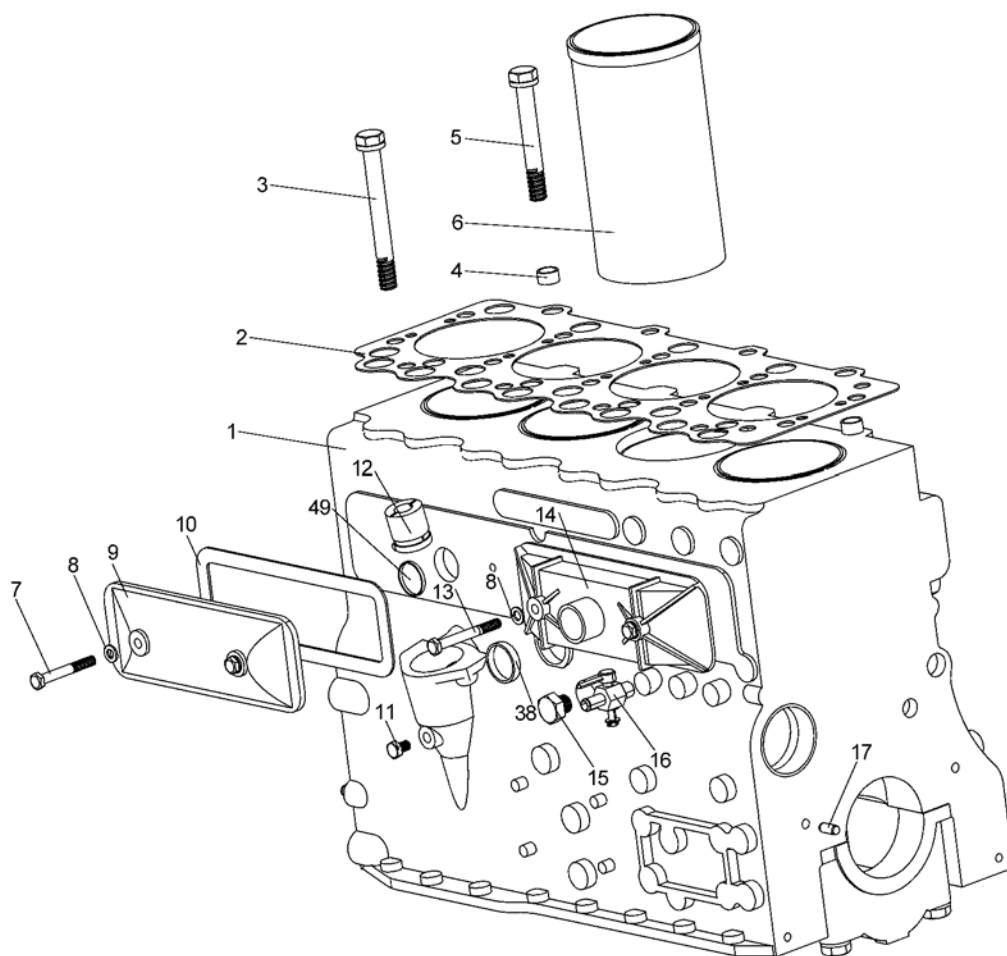
Special Items For Combine-harvester Application

Item	Nombre de piezas	Códigos	Cant.	Observ.
1	Drain part	4K39T-01200-1	1	
2	Sealing seat	4K39T-01071-1	1	
3	Oil seal seat washer	4K39T-01072-1	1	
4	Injection pump Timing gear shaft sleeve	4K39T-02015-1	1	
5	Hydraulic pump gear	4K39T-02013-1	1	
6	Crankshaft pulley	4K39T-05001-1	1	
7	Flywheel	4K39T-05101-1	1	
8	Flywheel ring gear	4K39T-05102	1	
9	Oil sump assembly	4K39T-07000-1	1	
10	Exhaust pipe	4K39T-08001-1	1	
11	Exhaust manifold pad	4K39T-08003-1	1	
12	Intake pipe	4K39T-09003-1	1	
13	Flywheel housing	4K39T-13001-1	1	Don't install flywheel housing gasket
14	Timing gear cover	4K39T-16001-1	1	
15	Timing pointer	490B-16012	1	
16	Low pressure fuel pipe assembly	4K39T-25000-1	1	
17	Fuel filter support	4K39T-26001-1	1	
18	Breather assembly	4K39T-34000-1	1	
19	Water pump assembly	4K39T-42100-1	1	
20	Water pump gasket	4K39T-42001-1	1	
21	Head front cover plate	4K39T-43101-1	1	
22	Hose for auto	4K39T-43009-1	1	
23	Generator support assembly	4K39T-53000-1	1	
24	Heater plug	4K39T-54100-1	4	
25	Fan belt	AV15-1200Li	1	
26	Parking assembly	4K39T-62000-1	1	
27	ameplate	4K39T-11008-2	1	

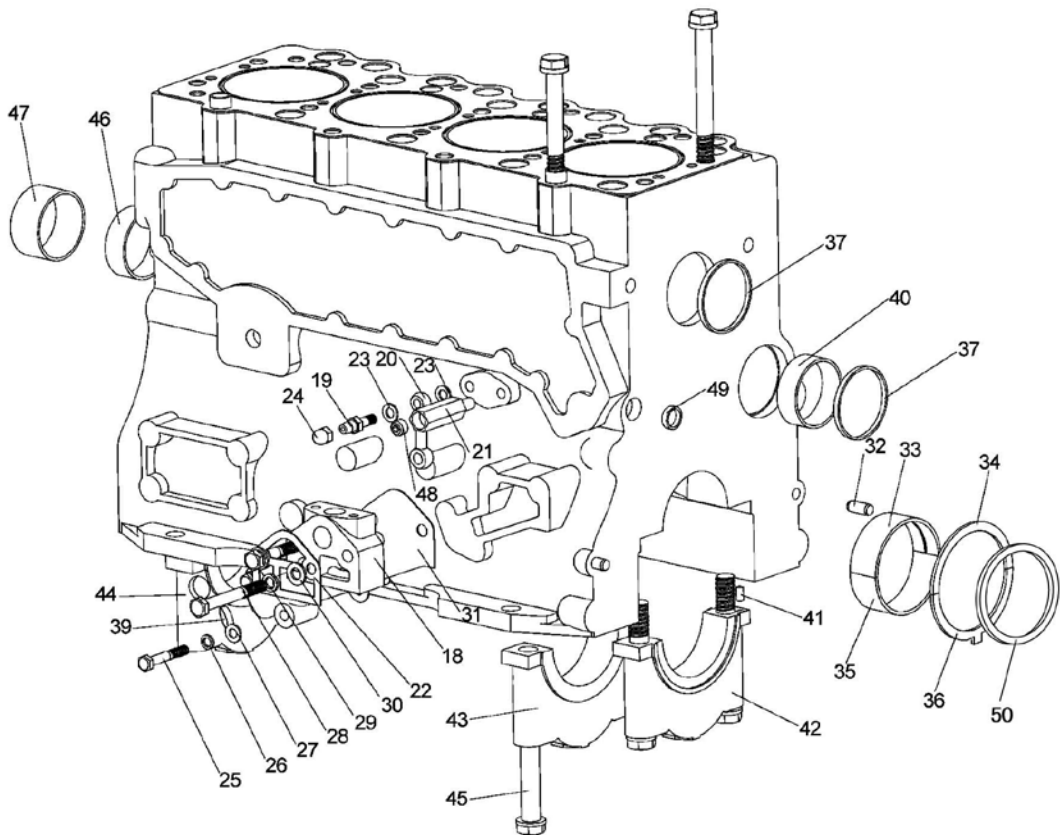
Contents

Body assembly	1
Timing gear transmission assembly	6
Cylinder head assembly	8
Oil pan and side bracket assembly	12
Intake and exhaust assembly	14
Flywheel crankshaft, connecting rod piston, camshaft, flywheel housing and starter motor assembly	16
Timing gear and thermostat assembly	20
Oil pump and piping assembly	23
Cooler, water pump and fan assembly	25
Fuel supply system	27
Charging generator and bracket assembly	29

Body assembly



Body assembly



Body assembly

Item	Códigos	Nombre de piezas	Cant.	Observ.
1	4K39T- 01100	Body	1	
	4K41T- 01101	Body	1	4K41T
	4K43T- 01101	Body	1	4K43T
2	4K39T- 01004	Cylinder gasket	1	4K39T 4K41T
	4K43T- 01004	Cylinder gasket	1	4K43T
3	4K39T- 01002	Long cylinder head bolts	14	
4	4K39T- 01001	Cylinder head positioning units	2	
5	4K39T- 01003	Short cylinder head bolts	4	
6	4K39T- 01005	Cylinder	4	
	4K41T- 01005	Cylinder	4	4K41T
	4K43T- 01005	Cylinder	4	4K43T
7	GB/T5782- 2000	Bolt M8655	2	
8	GB/T982	Combination gasket 8	4	
9	4K39T- 01042	Tappet chamber cover(7)	1	
10	4K39T- 01043	Tappet chamber cover gasket	2	
11	490B- 01029-1	Plug Rc1/8	2	
12	4K39T- 01051	Oil pump drive gear bushing	1	
13	GB/T5782- 2000	Bolt M8670	2	
14	4K39T- 01041	Tappet chamber cover(8)	1	
15	490BT- 13008-1	Flywheel plug	1	
16	490BT- 01100	Release valve parts	1	
17	GB119- 86	Pin B8620	2	
18	4K39T- 01053	Machines Filter Block	1	

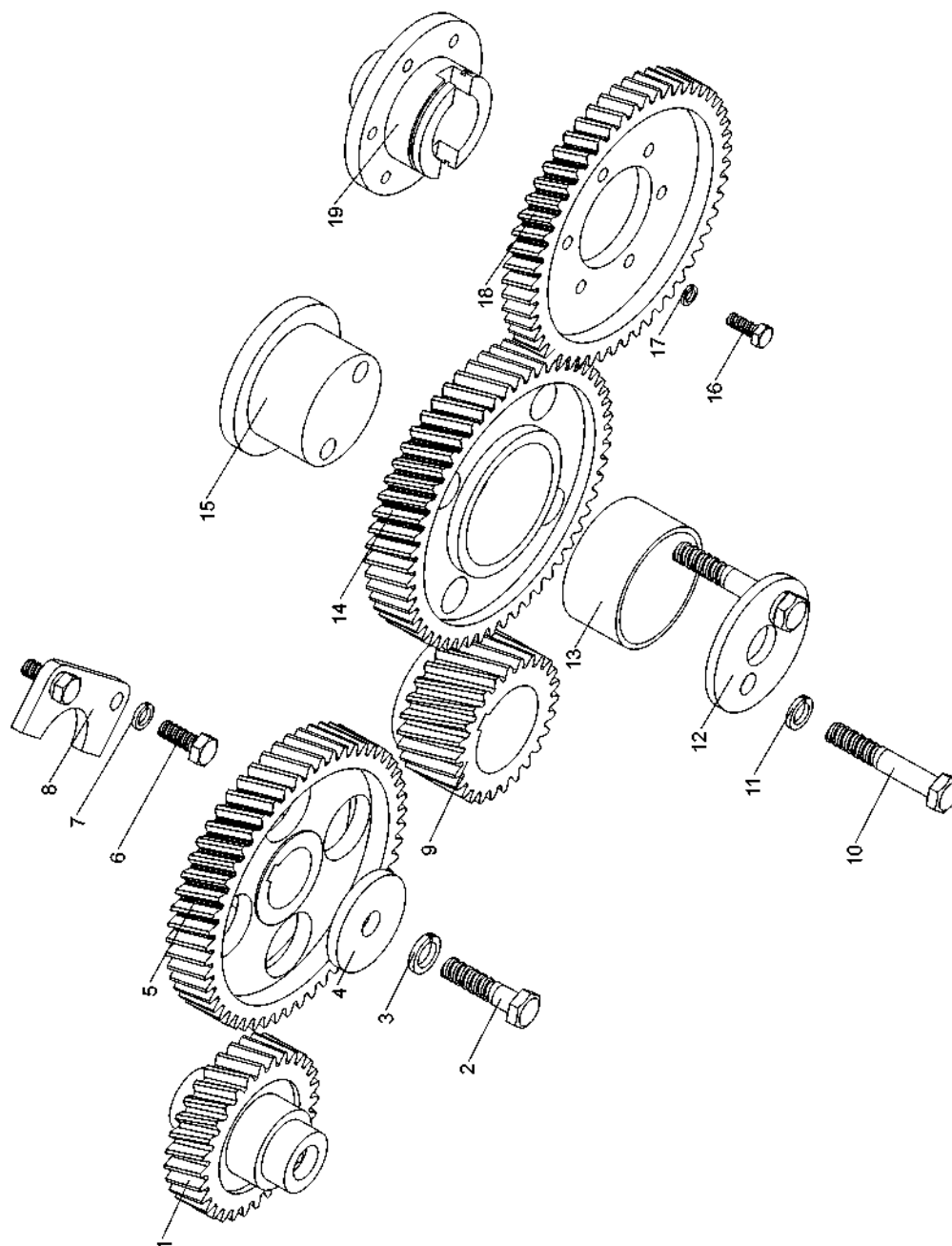
Body assembly

Item	Códigos	Nombre de piezas	Cant.	Observ.
19	490B- 52005-1	Into oil conector	1	
20	NB485B- 21100	Forced lubrication oil pump	1	
21	4K39T- 01074	Oil pressure sensor connector		
22	4K39T- 01073	Oil filter gasket	1	
23	JB/T6013- 2000	Washer 8	2	
24	GB/T923- 1988	Cap-type nut M8	1	
25	GB/T5782- 2000	Bolt M8650	2	
26	GB/T93- 1987	Washer 8	8	
27	GB/T97.1- 1985	Washer 8 - 140 Hv	8	
28	GB/T5782- 2000	Bolt M10685	2	
29	GB/T93- 1987	Washer 10	2	
30	GB/T97.1- 1985	Washer 8 - 140 Hv	2	
31	4K39T- 01052	Machine filter seat cushion film	1	
32	GB119- 86	Pin B10624	2	
33	4K39T- 01034	Main bearing	5	
34	4K39T- 01026	Thrust washer	2	
35	4K39T- 01033	Main bearing	5	
36	4K39T- 01022	Thrust washer	2	
37	4K39T- 01111	Plug cap 9 65	2	
38	4K39T- 01112	Plug cap 9 65	1	
39	490B- 03017	Bowl cypriot films 20		
40	4K39T- 01104	Camshaft bushes	1	
41	4K39T- 01102	Pin 9 6612	1	

Body assembly

Item	Códigos	Nombre de piezas	Cant.	Observ.
42	4K39T- 01110	His calligraphy bearing cover	1	
43	4K39T- 01106	Middle main bearing cap	3	
44	4K39T- 01109	Front main bearing cap	1	
45	4K39T- 01103	Main bearing cap bolts	10	
46	4K39T- 01107	Camshaft Bushing	2	
47	4K39T- 01108	Camshaft Bush before	1	
48	490B- 01081	Plug R1/4	1	
49	490B- 01078	Bowl cypriot films 30	2	
50	4K39T-01036	Behind crankshaft sealing	1	

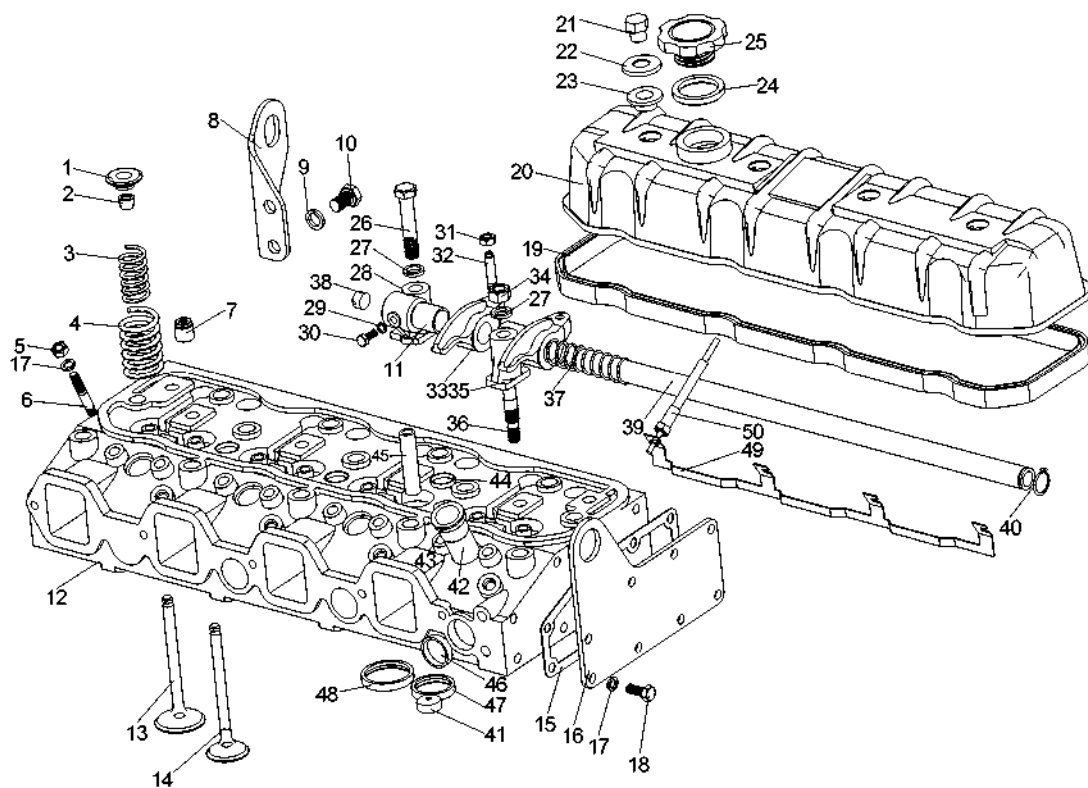
Timing gear transmission assembly



Timing gear transmission assembly

Item	Códigos	Nombre de piezas	Cant.	Observ.
1	4K 39T- 02013	Hydraulic pump gear	1	
2	GB/T5782- 2000	Bolt M12640	1	
3	GB/T93- 1987	Spring washer 12	1	
4	4K 39T- 02011	Camshaft gear plate	1	
5	4K 39T- 02009	Camshaft timing gear	1	
6	GB/T5783- 2000	Bolt M8620	2	
7	GB/T93- 1987	Spring washer 8	2	
8	4K 39T- 02008	Camshaft thrust plate	1	
9	4K 39T- 02007	Camshaft gear	1	
10	GB/T5782- 2000	Bolt M10660	2	
11	GB/T93- 1987	Spring washer 10	2	
12	4K 39T- 02012	Idler gear plate	1	
13	4K 39T- 02005	Idler gear bushing	1	
14	4K 39T- 02006	Idler gear	1	
15	4K 39T- 02004	Idler gear shaft timing	1	
16	GB/T5783- 2000	Bolt M6616	6	
17	GB/T93- 1987	Spring washer 6	6	
18	4K 39T- 02003	Gear pump	1	
19	4K 39T- 02015	Fuel injection pump timing gear sleeve	1	

Cylinder head assembly



Cylinder head assembly

Item	Códigos	Nombre de piezas	Cant.	Observ.
1	4K39T- 03007	Valve spring attendance	16	
2	4K39T- 03006	Air lock folder	16	
3	4K39T- 03005	Valve inner spring	8	
4	4K39T- 03004	Gas door spring	8	
5	GB/T6170- 1987	Nut M8	8	
6	GB/T898- 1988	Stud AM8-M8 645	8	
7	4K39T- 03008	Valve guide seal	8	
8	4K39T- 03011	Lug	1	
9	GB/T6170- 2000	Spring washer 12	2	
10	GB/T5783- 2000	Bolt M1261.5625	2	
11	4K39T- 03212	Valve rocker shaft bush	8	
12	4K39T- 03101	Cylinder head	1	-, 4K39T : 4K41T
	4K43T- 03101	Cylinder head	1	-, 4K43T
13	4K39T- 03015	Intake valve	4	-, 4K39T : 4K41T
	4K43T- 03015	Intake valve	4	-, 4K43T
14	4K39T- 03014	Exhaust valve	4	-, 4K39T : 4K41T
	4K43T- 03014	Exhaust valve	4	-, 4K43T
15	4K39T- 03013	Cylinder head cover gasket	1	
16	4K39T- 03012	Cylinder head cover	1	
17	GB/T93- 1987	Spring 8	16	
18	GB/T5783- 2000	Bolt M8620	8	
19	4K39T- 11002	Covered with rubber mats		

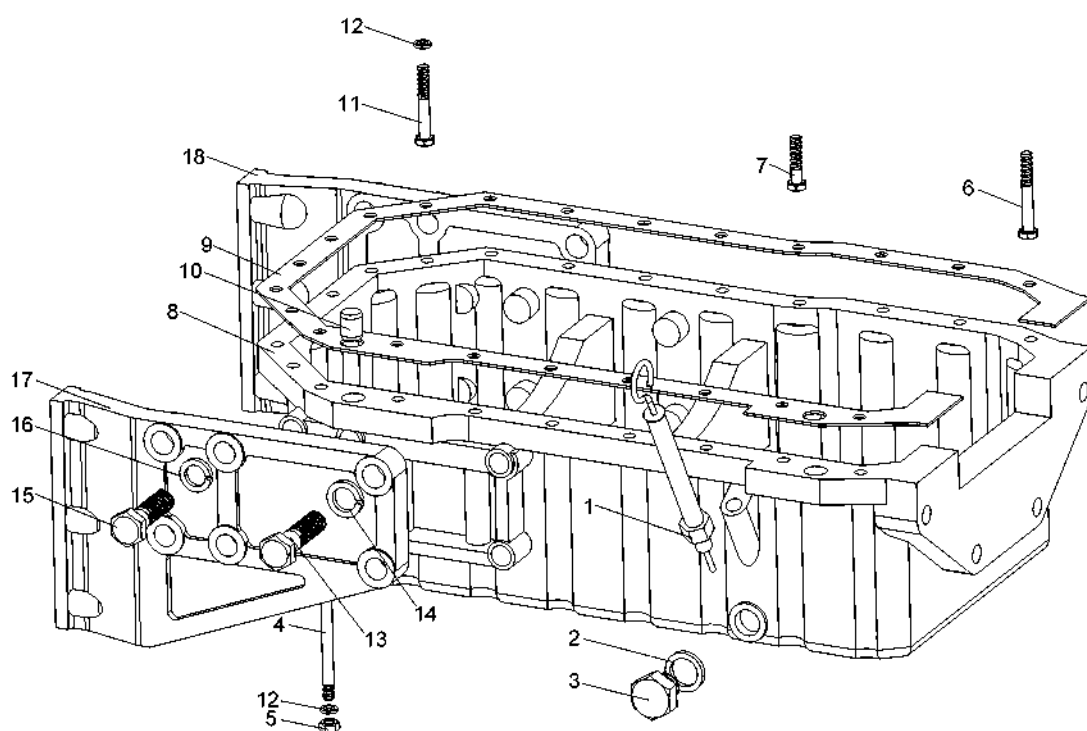
Cylinder head assembly

Item	Códigos	Nombre de piezas	Cant.	Observ.
20	4K39T- 11100	Cylinder cover	1	
21	4K39T- 11006	Lock nut	4	
22	4K39T- 11005	Lock nut pad	4	
23	4K39T- 11007	Lock nut rubber mats	4	
24	4K39T- 11003	Oil filler cover	1	
25	4K39T- 11004	Oil filler cover gasket	1	
26	4K39T- 03207	Block rocker bolt	2	
27	GB/T93- 1987	Spring washer 12	6	
28	4K39T- 03205	Block rocker	1	
29	GB/T93- 1987	Spring washer 6	1	
30	GB/T5783- 2000	Bolt M6616	1	
31	GB/T6171- 2000	Nut M861	8	
32	4K39T- 03201	Valve clearance adjustment screw	8	
33	4K39T- 03211	Rocker arm components	8	
34	GB/T6172- 1986	Nut M12	4	
35	4K39T- 03202	Block Rocker	5	
36	4K39T- 03208	Block Rocker Bolt	4	
37	4K39T- 03203	Rocker shaft spring	3	
38	4K39T- 03206	Rocker shaft plug M1461.5	2	
39	4K39T- 03204	Rocker shaft	1	
40	GB8941- 1986	Snap Ring 20	1	
41	4K39T- 03105	Plug	6	
42	4K39T- 03109	Copper sets injector	4	
43	GB/T3452.1- 256 2.4	O- ring	4	

Cylinder head assembly

Item	Códigos	Nombre de piezas	Cant.	Observ.
44	4K39T- 03111	Plug 922	3	
45	4K39T- 03102	Valve guide	8	
46	490B- 01078	Plug 930	2	
47	4K39T- 03108	Exhaust valve seat	4	-, 4K39T : 4K41T
	4K43T- 03108	Exhaust valve seat	4	-, 4K43T
48	4K39T- 03107	Intake valve seat	4	-, 4K39T : 4K41T
	4K43T- 03107	Intake valve seat	4	-, 4K43T
49	4K39T- 54001	Electric plug interconnect	1	
50	4K39T- 54100	Electric plug	4	

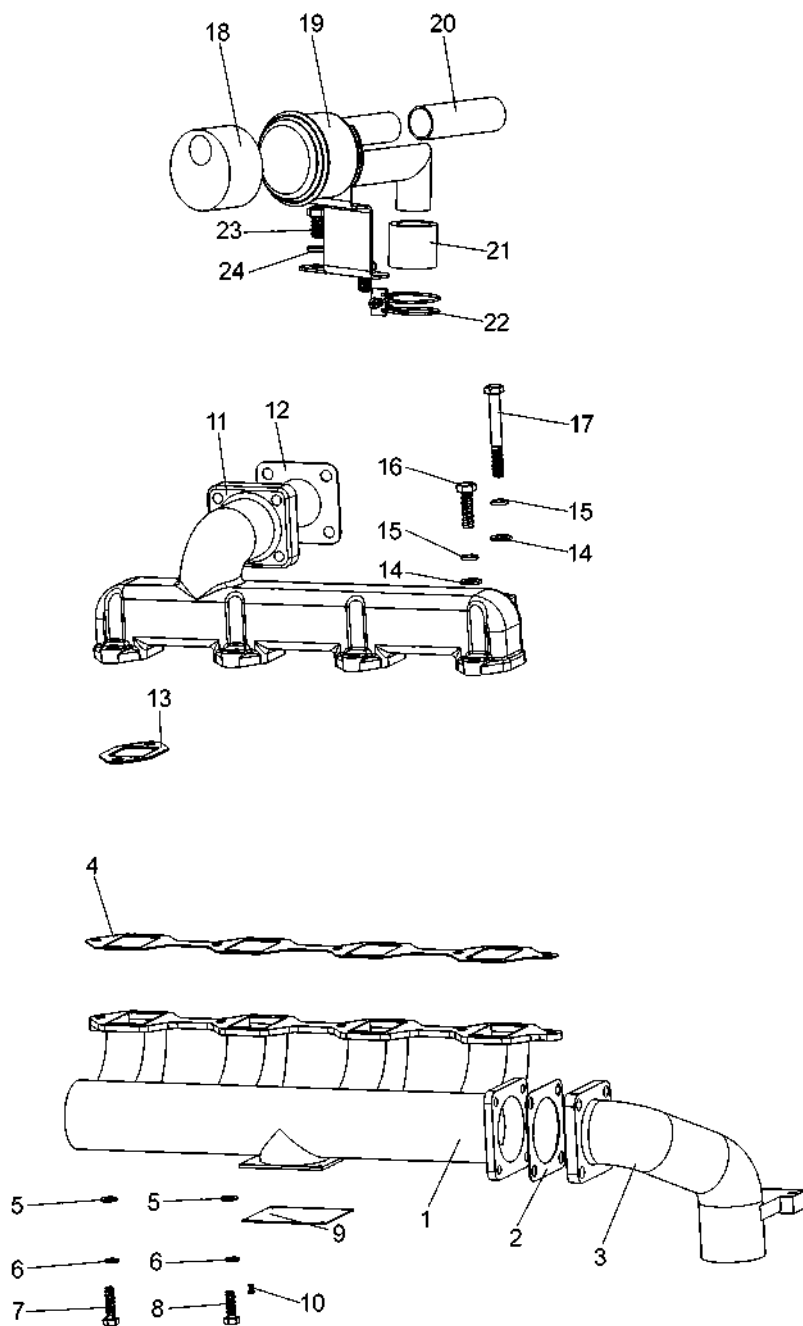
Oil pan and side bracket assembly



Oil pan and side bracket assembly

Item	Códigos	Nombre de piezas	Cant.	Observ.
1	4K39T- 07200	Oil gauge parts	1	
2	JB982- 77	Combination gasket 20	1	
3	JB2343- 79	Hexagon magnetic plug	1	
4	GB/T899- 1988	Stud AM8-M8 6130	6	
5	GB/T6170- 2000	Nut M8	6	
6	GB/T5782- 2000	Bolt M8660	1	
7	GB/T5782- 2000	Bolt M8635	13	
8	4K39T- 07106	Oil pan	1	
9	4K39T- 07002	Oil pan gasket	1	
10	GB/T119.2- 2000	Pin B16620	2	
11	GB/T5782- 2000	Bolt M8655	2	
12	GB/T93- 1987	Spring washer	22	
13	490BT- 07800	Bolt	4	
14	GB/T93- 1987	Spring washer 18	4	
15	GB/T5782- 2000	Bolt M16655	8	
16	GB/T93- 1987	Spring washer 16	8	
17	4K39T- 15001 R	Side stile (right)	1	
18	4K39T- 15001 L	Side stile (left)	1	

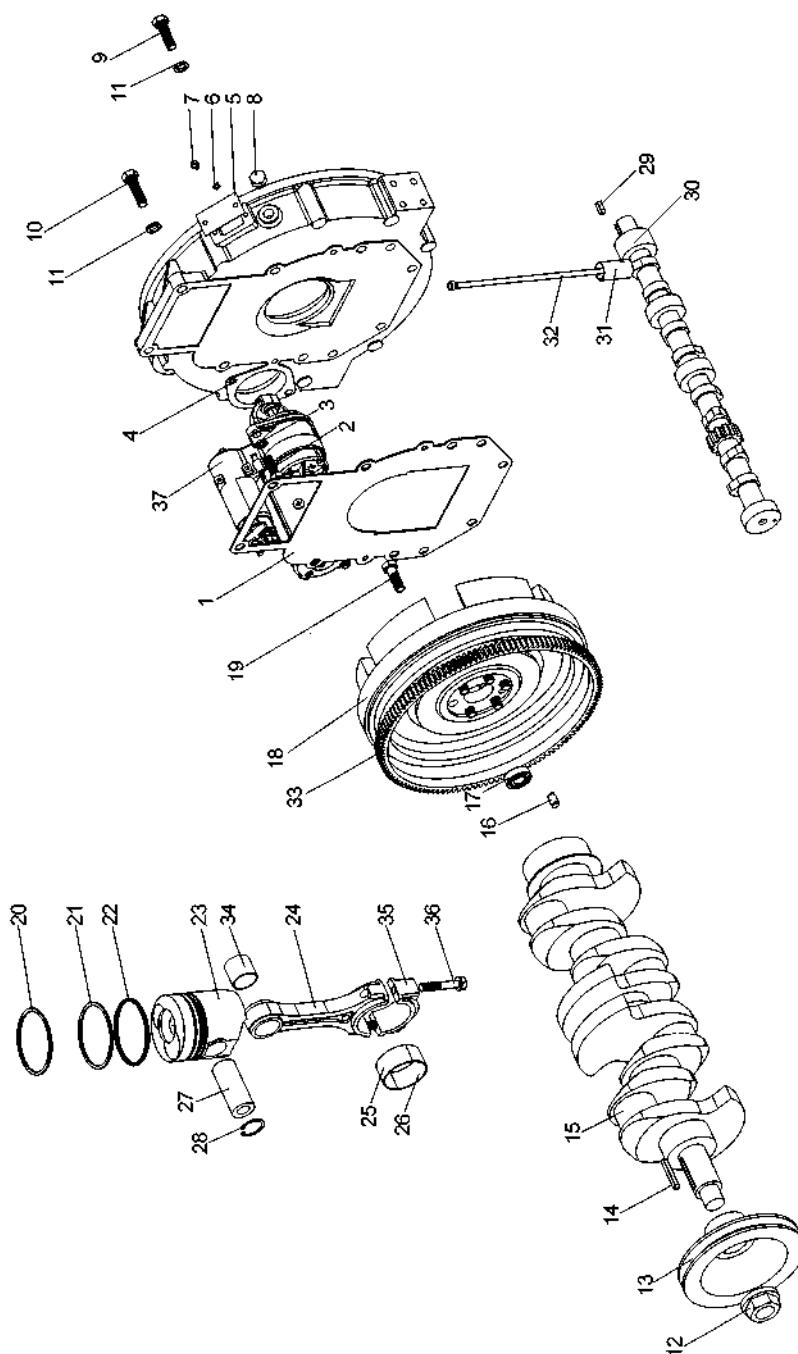
Intake and exhaust assembly



Intake and exhaust assembly

Item	Códigos	Nombre de piezas	Cant.	Observ.
1	4K39T- 09002	Intake manifolds	1	
2	4K39T- 09004	Intake manifold pad	1	
3	4K39T- 09003	Intake manifold	1	
4	4K39T- 09001	Intake manifold gasket	1	
5	GB/T97.1- 2002	Flat washer 8- 140Hv	9	
6	GB/T93- 1987	Spring washer 8	9	
7	GB/T5783- 2000	Bolt M8630	1	
8	GB/T5783- 2000	Bolt M8625	8	
9	4K39T- 11008	Nameplate	1	
10	GB/T818- 2000	Screw M366	4	
11	4K39T- 08001	Exhaust pipe	1	
12	4K39T- 08003	Exhaust pad	1	
13	4K39T- 08002	Exhaust pad	4	
14	GB/T97.1- 2002	Flat washer 10	8	
15	GB/T93- 1987	Spring washer 10	8	
16	GB/T5783- 2000	Bolt M10635	6	
17	GB/T5782- 2000	Bolt M10680	2	
18	4K39T- 34006	Respirator filter	1	
19	4K39T- 34100	Welding respirator	1	
20	JB/T8406- 2001	Hose A 286400	1	
21	JB/T8406- 2001	Hose A 32640	1	
22	ZB/T3005- 1988	Double wire clamp	3	
23	GB/T5782- 2000	Bolt M1261.5620	2	
24	GB/T93- 1987	Spring washer 12	2	

Flywheel crankshaft, connecting rod piston, camshaft, flywheel housing and starter motor assembly



Flywheel crankshaft, connecting rod piston, camshaft, fly wheel housing and starter motor assembly

Item	Códigos	Nombre de piezas	Cant.	Observ.
1	4K 39T- 13004	Flywheel housing gasket	1	
2	GB/T5783- 2000	Bolt M12635	2	
3	GB/T93- 1987	Spring washer 12	2	
4	4K 39T- 13001	Flywheel	1	
5	490B- 13003	Observation hole cover	1	
6	GB/T93- 1987	Sping washer 6	2	
7	GB/T67- 2000	Slotted pan head screws M6610	2	
8	490BT- 13008-1	Flywheel plug	1	
9	GB/T5783- 2000	Bolt M1461.5645	8	
10	GB/T5783- 2000	Bolt M1461.5650	2	
11	GB/T93- 1987	Spring washer 14	10	
12	4K 39T- 05002	Crankshaft pulley nut	1	
13	4K 39T- 05001	Crankshaft pulley	1	
14	GB 1096- 1979	Key 8660	1	
15	4K 39T- 05003	Crankshaft	1	
	4K 41T- 05003	Crankshaft	1	-, 4K 41T : 4K 43T
16	GB 119- 86	Cylindrical pin B12-20	1	
17	GB 278- 89	Bearing 60203	1	
18	4K 39T- 05101	Flywheel	1	
19	4K 39T- 05004	Flywheel bolt	6	
20	4K 39T- 04002	First piston ring	4	
	4K 41T- 04002	First piston ring	4	-, 4K 41T
	4K 43T- 04002	First piston ring	4	-, 4K 43T

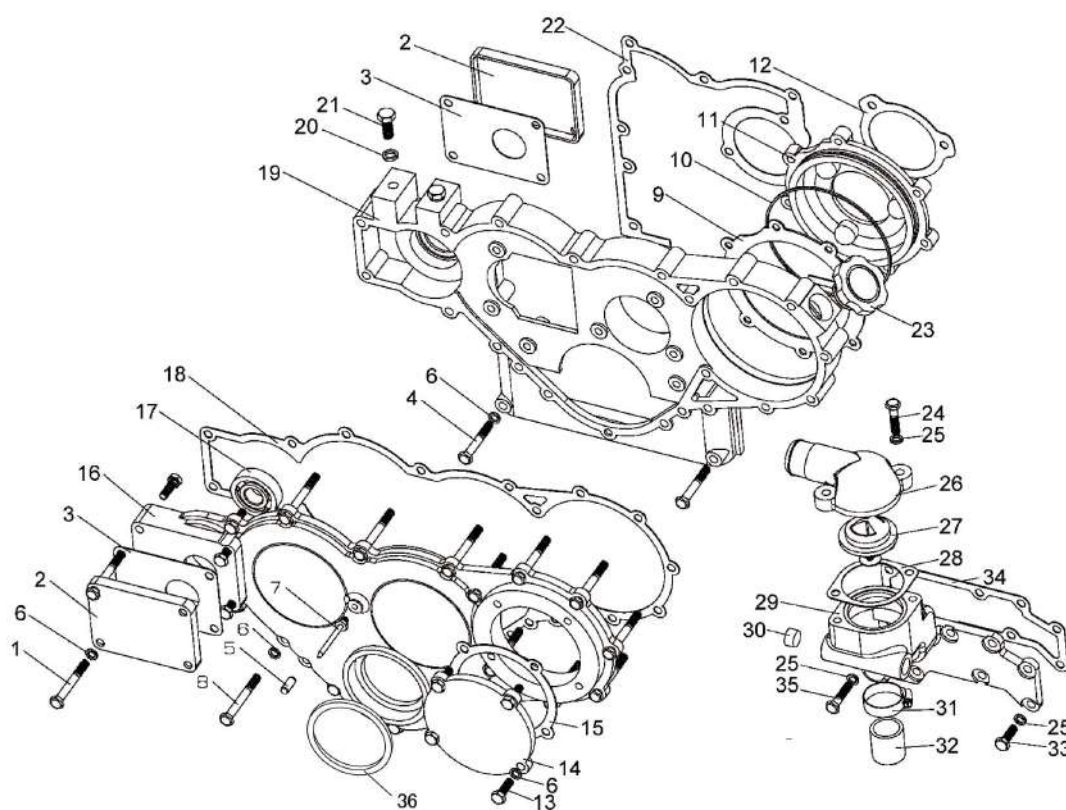
Flywheel crankshaft, connecting rod piston, camshaft, flywheel housing and starter motor assembly

Item	Códigos	Nombre de piezas	Cant.	Observ.
21	4K 39T- 04003	Second piston ring	4	
	4K 41T- 04003	Second piston ring	4	-, 4K41T
	4K 43T- 04003	Second piston ring	4	-, 4K43T
22	4K 39T- 04100	Oil ring piece together	4	
	4K 41T- 04100	Oil ring piece together	4	-, 4K41T
	4K 43T- 04100	Oil ring piece together	4	-, 4K43T
23	4K 39T- 04001	Piston	4	
	4K 41T- 04001	Piston	4	-, 4K41T
	4K 43T- 04001	Piston	4	-, 4K43T
24	4K 39T- 04201	Connecting rod	4	
25	4K 39T- 04005	Connecting rod bearing	4	-, 4K39T : 4K41T
	4K 43T- 04005	Connecting rod bearing	8	-, 4K43T 8 v 9 7 }
26	4K 39T- 04006	Connecting rod bearing	4	
27	4K 39T- 04004	Positon pin	4	
	4K 41T- 04004	Positon pin	4	-, 4K41T
	4K 43T- 04004	Positon pin	4	-, 4K43T
28	GB/T93.1- 1986	Spring ring 36	8	
29	GB/T1096- 2003	Key C8620	6	
30	4K 39T- 06001	Camshaft	1	
31	4K 39T- 06002	Valve tappet	8	
32	4K 39T- 06003	Valve push rod	8	

Flywheel crankshaft, connecting rod piston, camshaft, flywheel housing
and starter motor assembly

Item	Códigos	Nombre de piezas	Cant.	Observ.
33	490B- 05102	Flywheel ring gear	1	
34	4K 39T- 04202	Connecting rod small end bush	4	
35	4K 39T- 04204	Connecting rod cap	4	
36	4K 39T- 04203	Connecting rod bolt	8	
37	4K 39T- 51000	Starter motor assembly	1	

Timing gear and thermostat assembly



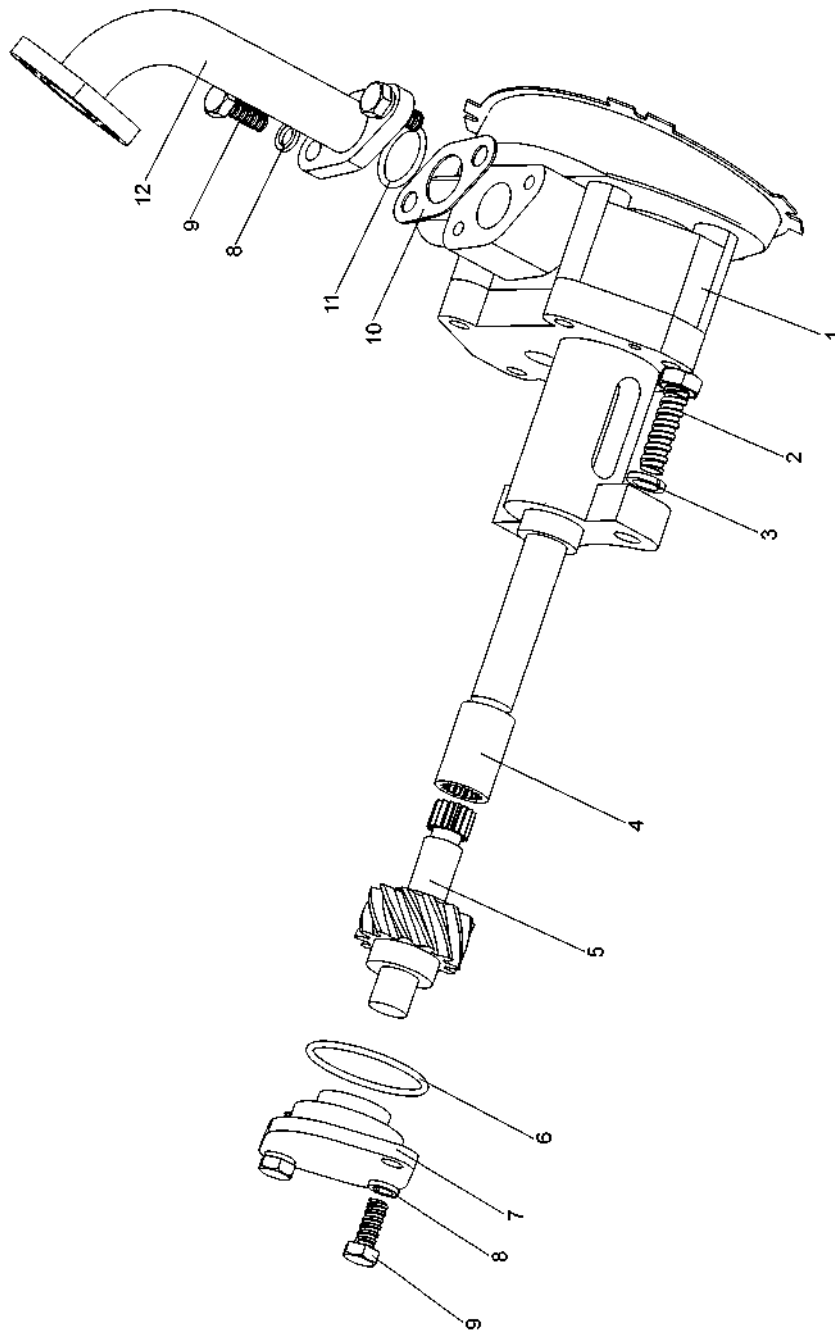
Timing gear and thermosthat assembly

Item	Códigos	Nombre de piezas	Cant.	Observ.
1	GB/T5782- 2000	Bolt M8665	9	
2	490BT- 16014A	Pump cover plate	2	
3	490BT- 16013-1	Hydraulic pump end cover gasket	2	
4	GB/T5782- 2000	Bolt M8670	5	
5	GB/T119.2- 2000	Cylindrical pin 8620	2	
6	GB/T93- 1987	Spring washer 8	37	
7	4K39T- 16012	Timing pointer	1	
8	GB/T5782- 2000	Bolt M8655	2	
9	4K39T- 16006	Injection pump flange pad	1	
10	GB1235- 76	O- ring 14063.1	1	
11	4K39T- 16005	Pump flange	1	
12	490B- 16011-1	Pump gasket	1	
13	GB/T5783- 2000	Bolt M8625	20	
14	490BT- 16016A	Air compressor cover	1	
15	490BT- 16005	Air compressor cover gasket	1	
16	4K39T- 16001	Timing gear cover	1	
17	GB/T276- 1994	Deep groove ball bearings 6006	2	
18	4K39T- 16002	Timing gear cover gasket	1	
19	4K39T- 16003	Timing gear cover	1	
20	GB/T93- 1987	Spring washer 10	2	
21	GB21- 1976	Bolt M10625	2	
22	4K39T- 16004	Timing gear chamber gasket	1	
23	495BT- 16100	Gear oil cap assembly room	1	

Timing gear and thermostat assembly

Item	Códigos	Nombre de piezas	Cant.	Observ.
24	GB/T5782- 2000	Bolt M8630	2	
25	GB/T93- 1987	Spring washer 8	10	
26	4K 39T- 43001	Thermostat cover	1	
27	490B- 43002	Wax-type thermostat	1	
28	4K 39T- 43003	Thermostat cover gaskets	1	
29	4K 39T- 43101	Cylinder head front cover	1	
30	490B- 43008	Plug NPT3/8	2	
31	JB/T8870- 1999	Hose clamps d40	2	
32	4K 39T- 43009	Automobile water rubber hoses 927635	1	
33	GB/T5782- 2000	Bolt M8620	7	
34	4K 39T- 43005	Front cover gasket	1	
35	GB/T5782- 2000	Bolt M8635	1	
36	4K39T-16035	Front crankshaft sealing	1	

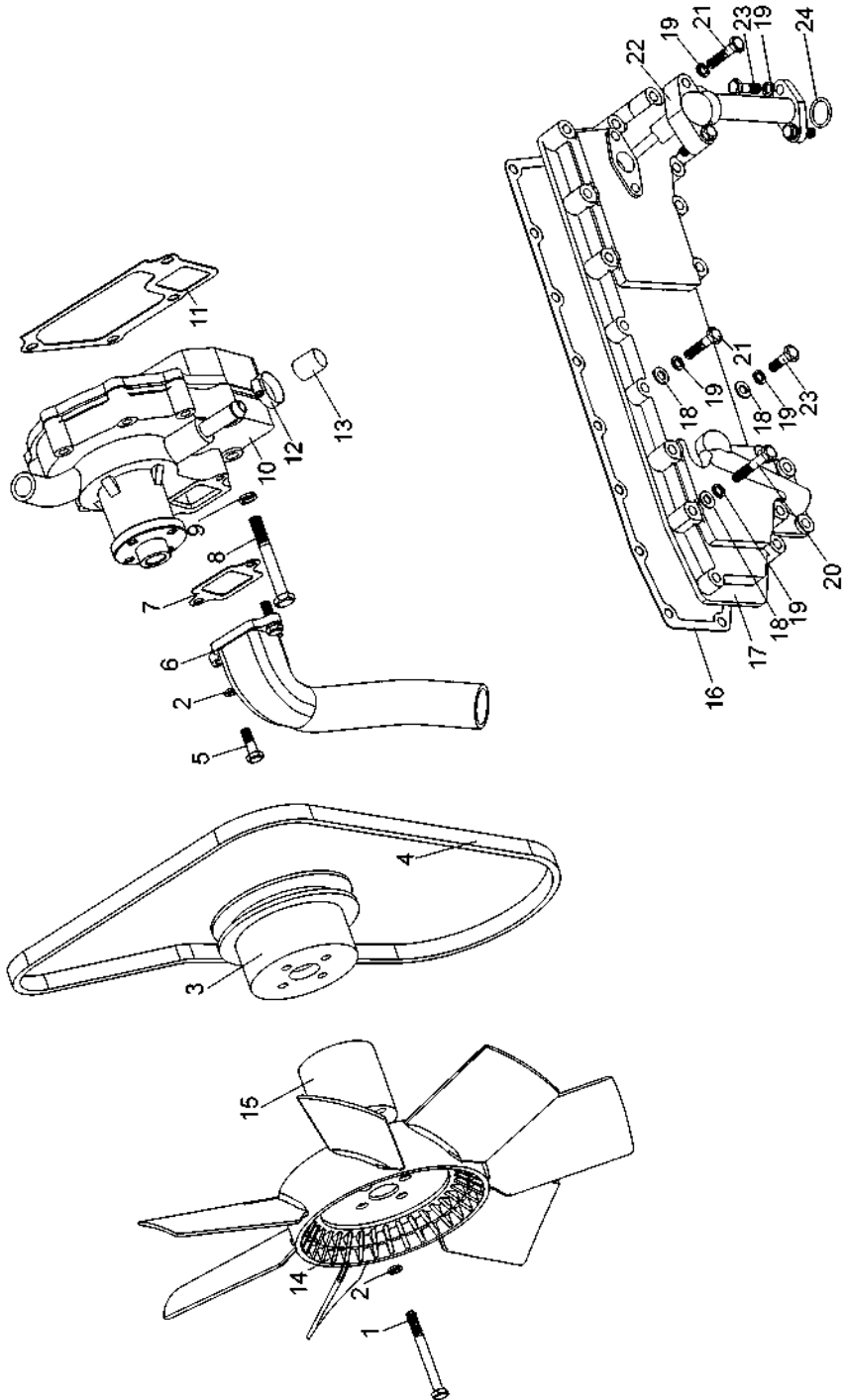
Oil pump and piping assembly



Oil pump and piping assembly

Item	Códigos	Nombre de piezas	Cant.	Observ.
1	4K39T- 31100	Oil pump	1	
2	GB/T5783- 2000	Bolt M10635	2	
3	GB/T93- 1987	Spring washer 10	2	
4	4K39T- 31102	Spline set	1	
5	4K39T- 31101	Drive gear shaft	1	
6	GB3452.1- 1992	O- ring 46.262.65	1	
7	4K39T- 31002	Oil pump bearing caps	1	
8	GB/T93- 1987	Spring washer 8	6	
9	GB/T5783- 2000	Bolt M8620	6	
10	4K39T- 31001	Oil pipe flange gasket	2	
11	GB3452.1- 1992	O- ring 22.462.65	2	
12	4K39T- 31200	Oil pipe joint parts	1	

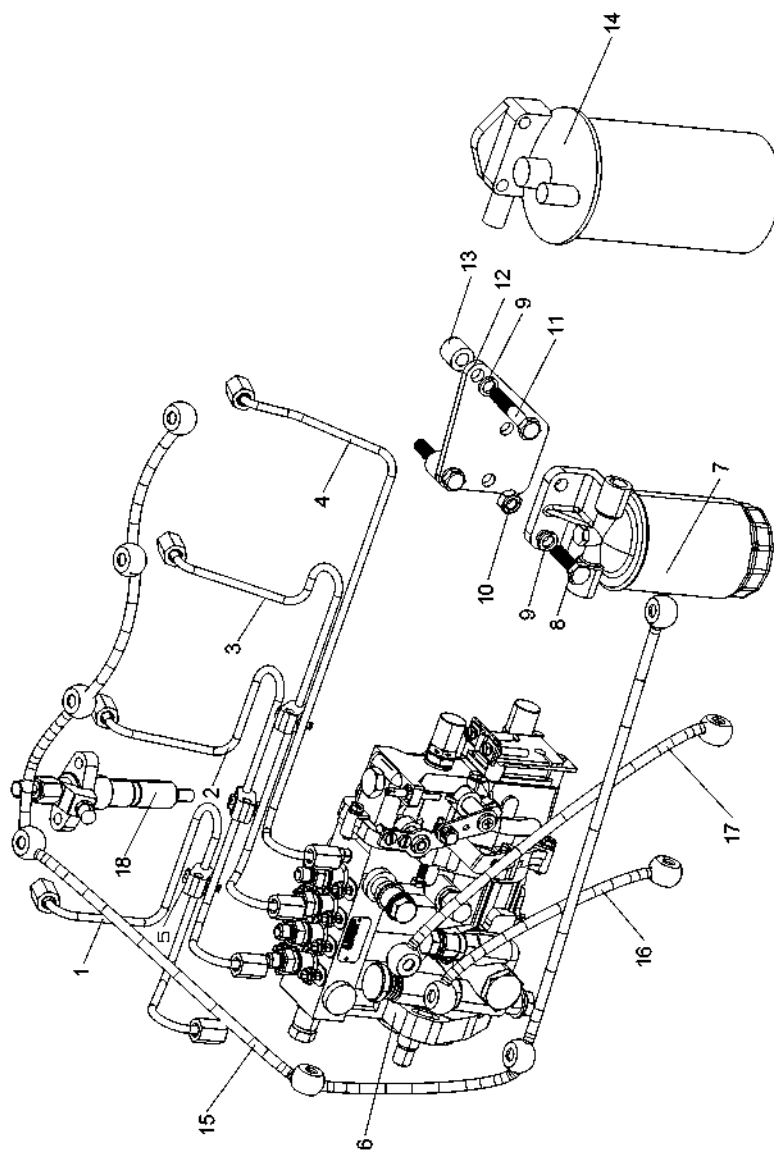
Cooler, water pump and fan assembly



Cooler, water pump and fan assembly

Item	Códigos	Nombre de piezas	Cant.	Observ.
1	GB/T5782- 2000	Bolt M8695	4	
2	GB/T93- 1987	Spring washer 8	6	
3	4K39T- 42002	Water pump pulley	1	
4	GB/T13352- 1996		1	
5	GB/T5782- 2000	Bolt M8625	2	
6	4K39T- 42003	Water over	1	
7	4K39T- 42004	Water over gasket	1	
8	GB/T5782- 2000	Bolt M10685	4	
9	GB/T93- 1987	Spring washer 10	4	
10	4K39T- 42100	Pump assembly	1	
11	4K39T- 42001	Pump gasket	1	
12	JB/T8870- 1999	Clamp d25	1	
13	4K39T- 42005	Heater pipe joint set	1	
14	Z420- 28- 52-7	Fan assembly	1	
15	490B- 41003-6	Fan pad	1	
16	4K39T- 36001	Oil cooler cover gasket	1	
17	4K39T- 36100	Oil cooler assembly	1	
18	GB/T97.1- 1985	Flat washers 8	22	
19	GB/T93- 1987	Spring washer 8	26	
20	GB/T5782- 2000	Bolt M8645	9	
21	GB/T5782- 2000	Bolt M8635	6	
22	4K39T- 36200	Cooler inlet pipe welding parts	1	
23	GB/T5782- 2000	Bolt M8625	11	
24	GB/T3452.1- 1992	O- ring 21.262.65	2	

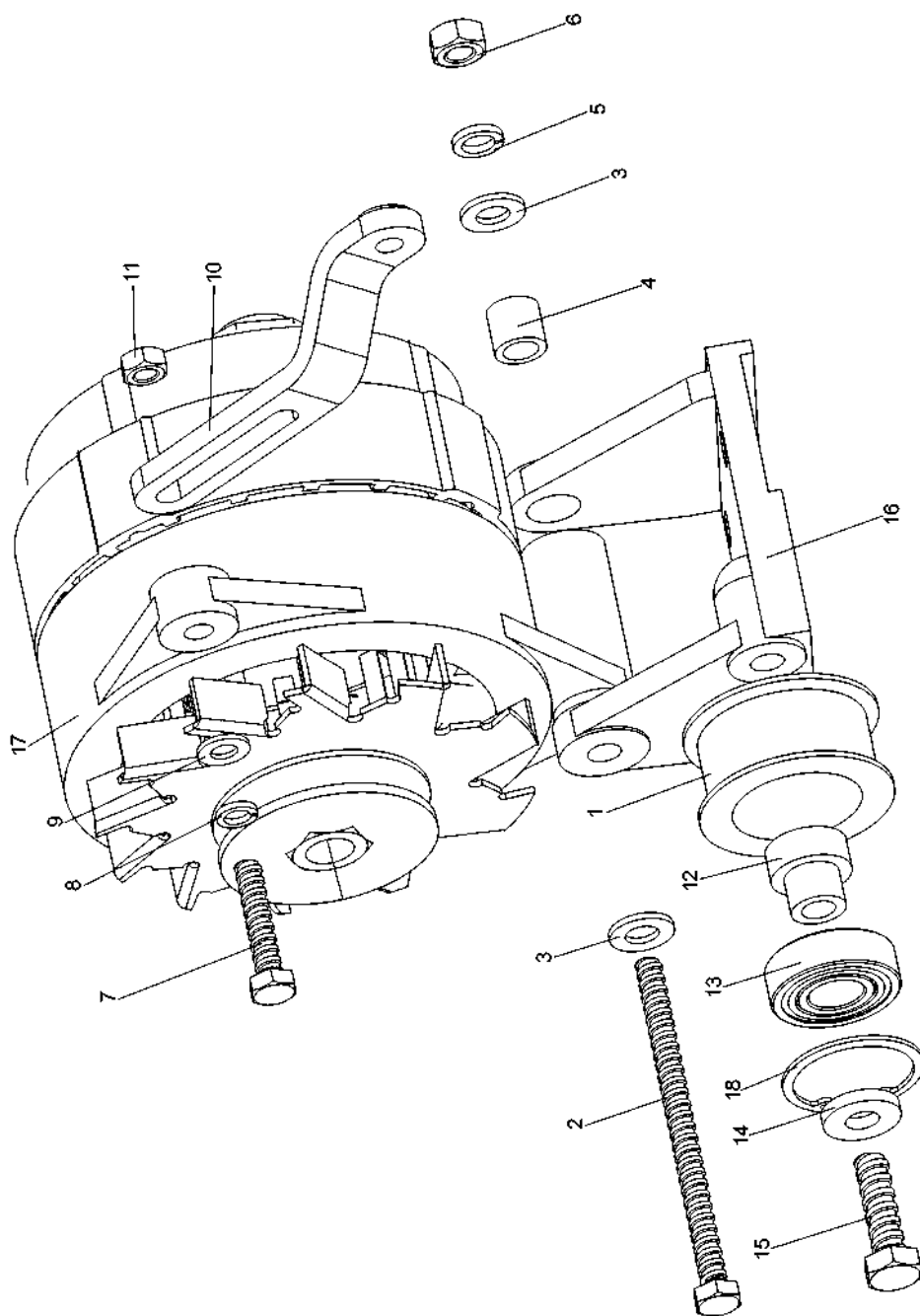
Fuel supply system



Fuel supply system

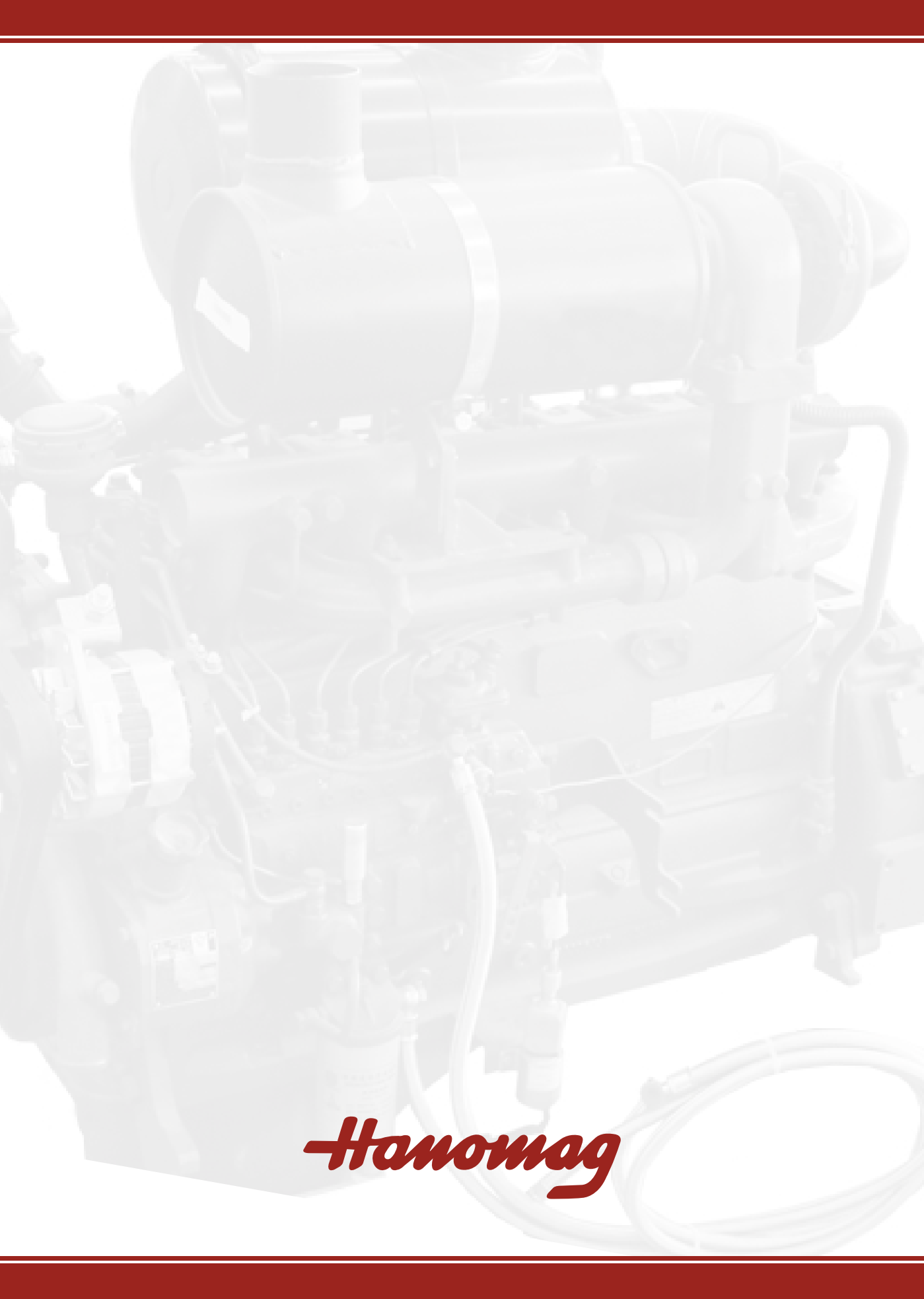
Item	Códigos	Nombre de piezas	Cant.	Observ.
1	4K 39T- 23100	First- cylinder high - pressure pipeline components	1	
2	4K 39T- 23200	The second part-cylinder high- pressure pipeline	1	
3	4K 39T- 23300	Third- cylinder high- pressure pipeline components	1	
4	4K 39T- 23400	Fourth-cylinder high- pressure pipeline components	1	
5	490B- 23500	High- pressure pipe clamp parts	3	
6	4K 39T- 21000	Pump assembly	1	
7	4K 39T- 24000	Diesel filter	1	
8	GB/T5783- 2000	Bolt M10630	2	
9	GB/T93- 1987	Spring washer 10	4	
10	GB/T6170- 1987	Nut M10	2	
11	GB/T5783- 2000	Bolt M10645	2	
12	4K 39T- 26001	Fuel filter bracket	1	
13	4K 39T- 26002	Fuel filter support cushion	2	
14	4K 39T- 32000	Oil filter assembly	1	
15	4K 39T- 25100-2	Fuel injector fuel pump fuel to the fuel pump back into the pipe parts	1	
16	4K 39T- 25300	Fuel pump inlet pipe to the filter components	1	
17	4K 39T- 25200-1	Filter to the fuel pump inlet pipe parts	1	
18	4K 39T- 22000	Injector assy	4	

Charging generator and bracket assembly



Charging generator and bracket assembly

Item	Códigos	Nombre de piezas	Cant.	Observ.
1	4K39T- 53101	Tensioner pulley	1	
2	GB/T5783- 2000	Bolt M106115	1	
3	GB/T97.1- 2002	Flat washer 10	2	
4	4K39T- 53003	Generator bracket liner	1	
5	GB/T93- 1987	Spring washer 10	1	
6	GB/T6170- 2000	Nut M10	1	
7	GB/T5783- 2000	Bolt M8640	1	
8	GB/T93- 1987	Spring washer 8	1	
9	GB/T97.1- 2002	Flat washer 8	1	
10	4K39T- 53002	Generator adjustment stand	1	
11	GB/T6170- 2000	Nut M8	1	
12	4K39T- 53102	Tension wheel	1	
13	GB/T278- 1989	Bearing 6203-2Z	1	
14	4K39T- 53103	Tension wheel bearing	1	
15	GB/T5782- 2000	Bolt M10645	1	
16	4K39T- 53001	Generator bracket	1	
17	4K39T- 52000	Generator	1	
18	GB893.1- 86	Ring 40	1	



Hanomag